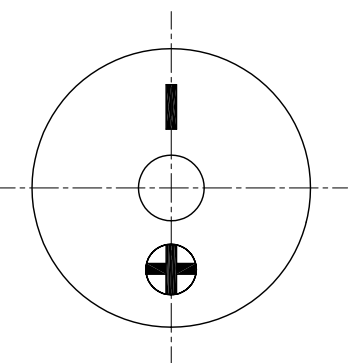
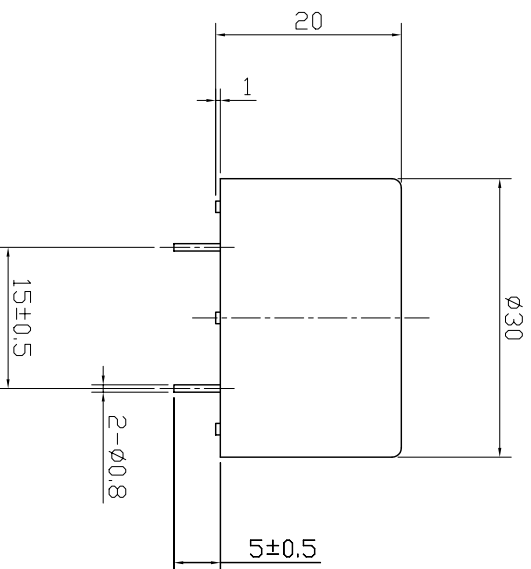


# SPECIFICATION

- 1. Rated Voltage ..... 12VDC
- 2. Operating Voltage ..... 3~24VDC
- 3. Max. Rated Current ..... 15mA/12VDC
- 4. Resonant Frequency ..... 3.9±0.5KHz
- 5. Min. Sound Pressure Level..... 90dB at 12VDC/30cm
- 6. Tone Nature ..... Continuous
- 7. Shell Material/Color ..... PC/Black
- 8. Operating Temperature ..... -20~+80℃
- 9. Store Temperature ..... -30~+100℃
- 10. Weight ..... 8g



No.	DESCRIPTION	APPROVED	DATE	<b>KEPO</b> NINGBO KEPP IMPROVING ELECTRONIC CO.,LTD <a href="http://www.chinaacoustic.com">http://www.chinaacoustic.com</a>	
TOLERANCES UNLESS NOTED OTHERWISE	APPROVALS	DATE			
XX .X	DRAWN				
XXX .X	CHECKED				
FIRST ANGLE PROJECTION				UNIT	DWG NO.
				mm	KP3.840.018
				SCALE	SHEET
				NOT TO SCALE	VER. 1.2
				03.07.23	