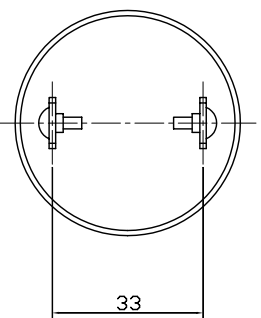
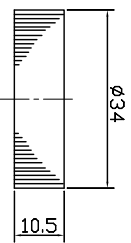
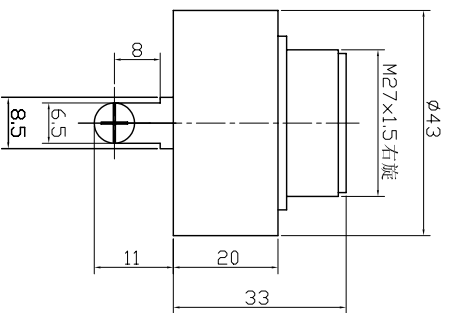
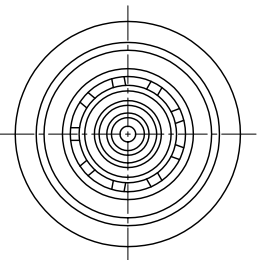


SPECIFICATION

- 1. Rated Voltage 110VAC
- 2. Operating Voltage 100~130VAC
- 3. Max. Rated Current 20mA at 110VAC
- 4. Min. Sound Pressure Level 85dB at 110VAC/60cm
- 5. Tone Nature Continuous
- 6. Resonant Frequency 2.9±0.5KHz
- 7. Shell Material/Color PC/Black
- 8. Operating Temperature -20~+80°C
- 9. Store Temperature -30~+100°C
- 10. Weight 40g



No.	DESCRIPTION	APPROVED	DATE	KEPO NINGBO KEEP IMPROVING ELECTRONIC CO.,LTD http://www.chinaacoustic.com						
TOLERANCES: DIMENSIONS	APPROVALS	DATE	Piezo Buzzer							
NOTED OTHERWISE	DRAWN		KPI-4320-110							
XXX.X	CHECKED			UNIT	DWG. NO.	KPS.840.041				
90° ANGLES ±1°	APPROVED		03.05.07	SCALE	NOT TO SCALE	SHEET	VER. 1.0			
FIRST ANGLE PROJECTION										