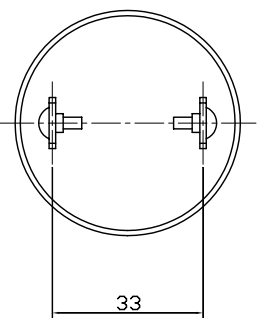
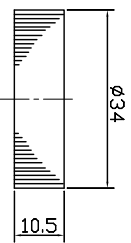
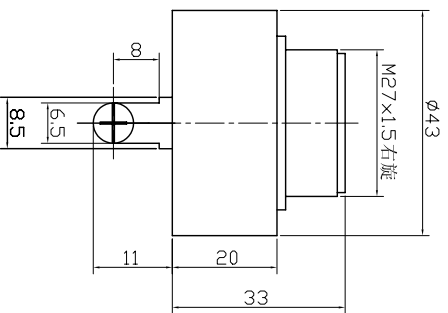
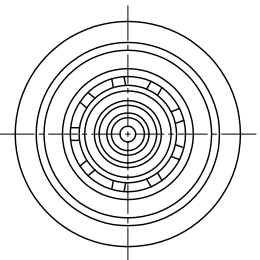


# SPECIFICATION

- 1. Rated Voltage ..... 12VDC
- 2. Operating Voltage ..... 6~28VDC
- 3. Max. Rated Current ..... 20mA at 12VDC
- 4. Min. Sound Pressure Level ..... 80dB at 12VDC/60cm
- 5. Tone Nature ..... Continuous
- 6. Resonant Frequency ..... 2.9±0.5KHz
- 7. Case Material ..... PC
- 8. Operating Temperature ..... -20~+80°C
- 9. Store Temperature ..... -30~+100°C
- 10. Weight ..... 40g



No.	DESCRIPTION	APPROVED	DATE	<b>KEPO</b> NINGBO KEEP IMPROVING ELECTRONIC CO.,LTD <a href="http://www.chinaacoustic.com">http://www.chinaacoustic.com</a>						
TOLERANCES: DIMENSIONS	APPROVALS	DATE	Piezo Buzzer							
NOTED OTHERWISE	DRAWN		KPI-4320							
XXX.X	CHECKED			UNIT	DWG. NO.	KIP3.840.025				
90° ANGLES ±1°	APPROVED		03.05.07	SCALE	NOT TO SCALE	SHEET	VER 1.0			
FIRST ANGLE PROJECTION										