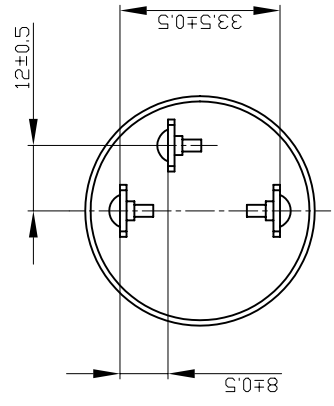


A

A



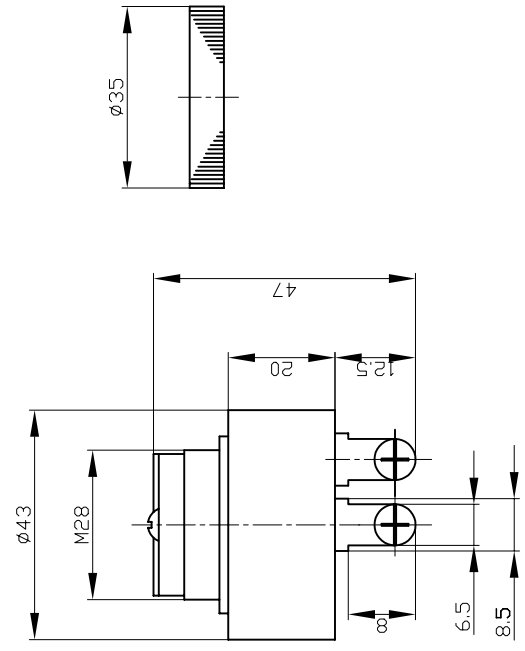
B

B

- ## SPECIFICATION
1. Rated Voltage12VDC
 2. Operating Voltage6~18VDC
 3. Max. Rated Current25mA at 12VDC
 4. Resonant Frequency2.9±0.5KHz
 5. Min. Sound Pressure Level.....90dB at 12VDC/30cm
 6. Tone NatureContinuous+Slow Pulse(60/minute)
 7. Case MaterialPC
 8. Operating Temperature-20 ~ +80°C
 9. Store Temperature-30 ~ +100°C
 10. Weight40g

C

C

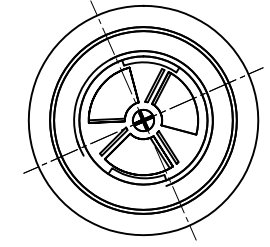


D

D

E

E



F

F

										KEPO NINGBO KEEP IMPROVING ELECTRONIC CO.,LTD http://www.chinaacoustic.com	
No.	DESCRIPTION	APPROVED	DATE	Piezo Buzzer		KPI-4343		UNIT		DWG NO.	
TOLERANCES UNLESS NOTED OTHERWISE		APPROVALS	DATE					mm		KP3.840.125	
XXX	+	DRAWN						CHECKED		SCALE	
90° ANGLES ±°		CHECKED						APPROVED		NOT TO SCALE	
FIRST ANGLE PROJECTION		APPROVED	03.08.06					SHEET		VER. 1.0	

1

2

3

4

5

6

7

8