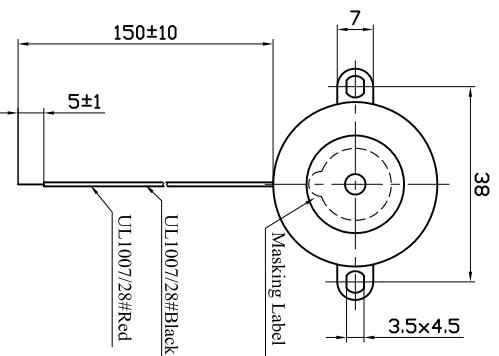
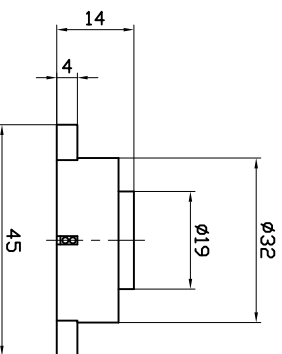
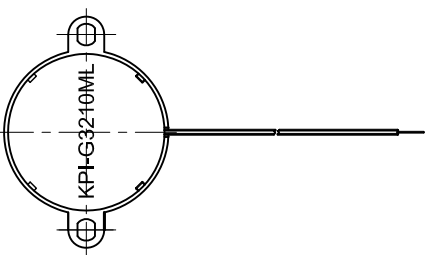


SPECIFICATION

1. Rated Voltage 12VDC
 2. Operating Voltage 3~20VDC
 3. Max. Rated Current 15mA at 12VDC
 4. Min. Sound Pressure Level..... 90dB at 12VDC/30cm
 5. Resonant Frequency 3.7±0.5KHz
 6. Tone Nature..... Pulse
 7. Shell Material/Color..... ABS/White
 8. Operating Temperature -20 ~ +60℃
 9. Store Temperature -30 ~ +70℃
 10. Weight 8g
- Red(红)..... Positive(+)
 Black(黑)..... Negative(-)



Compliance with ROHS			
KEPO NINGBO KEPO ELECTRONIC CO.,LTD http://www.chinaacoustic.com			
Piezo Buzzer		QUARTZ-1 LTD	
KPI-G3210ML-1920			
No.	DESCRIPTION	APPROVED	DATE
DRAWN		APPROVALS	
CHECKED		DATE	
APPROVED		DATE	
UNIT		DWG NO.	
SCALE		SHEET	
NOT TO SCALE		VER. 1.0	