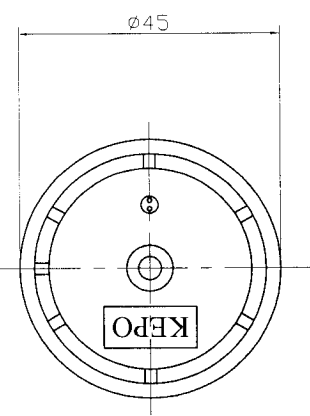
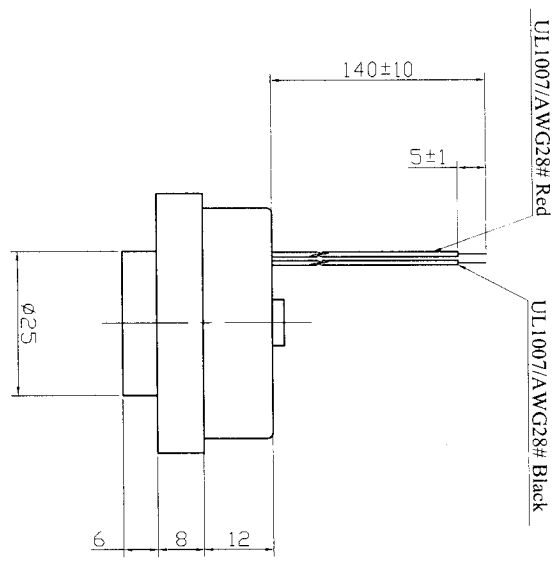


# SPECIFICATION



- 1. Rated Voltage ..... 24VDC.
  - 2. Operating Voltage ..... 6~30VDC.
  - 3. Max. Rated Current ..... 35mA at 24VDC
  - 4. Min. Sound Pressure Level..... 100 at 24VDC/30cm
  - 5. Tone Nature ..... Continuous
  - 6. Resonant Frequency ..... 3.2±0.5KHz.
  - 7. Shell Material/Color..... ABS/White
  - 8. Operating Temperature ..... -20~+60°C.
  - 9. Store Temperature ..... -30~+70°C .
  - 10. Weight ..... 21g.
- Red(红)..... Positive(+)  
 Black(黑)..... Negative(-)

Compliance with ROHS		KEPO NINGBO KEPO ELECTRONIC CO.,LTD http://www.chinaacoustic.com	
No.	DESCRIPTION	APPROVED	DATE
	Piezo Buzzer		
	KPI-G4510L-24		
DRAWN	CHECKED	DATE	DATE
07.12.25			
mm	UNIT: mm	DATE: 07.12.25	DATE: 07.12.25
NOT TO SCALE	SCALE: 1:1		