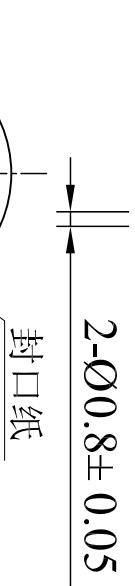
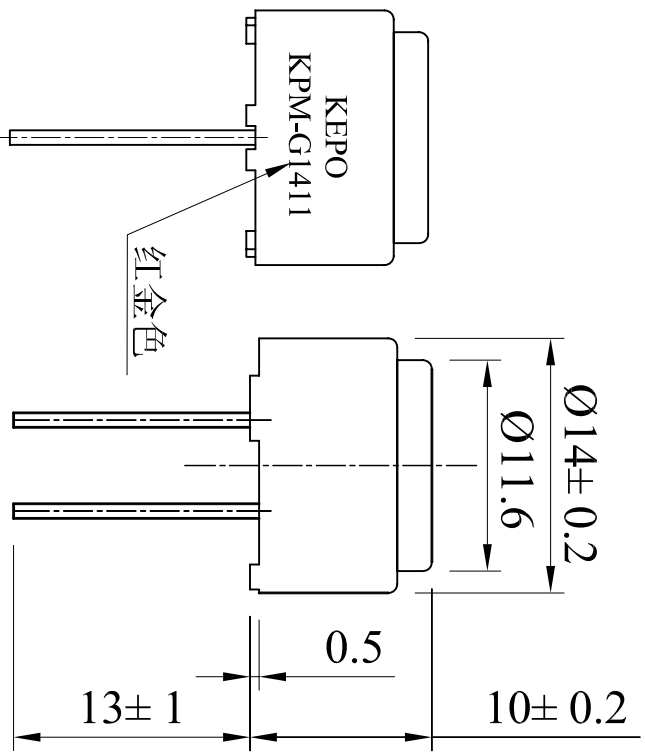
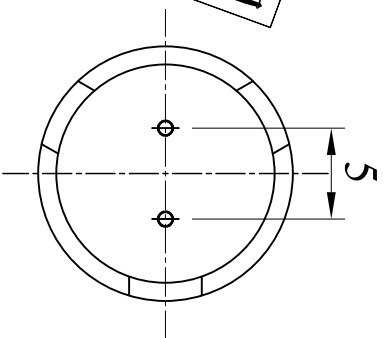


评估用图



SPECIFICATION

1. Rated Voltage 3 V
2. Operating Voltage 2~15 V
3. Max. Rated Current 50 mA
4. Coil Resistance 14±2 Ω
5. Min. Sound Pressure Level 94dB/3V/10cm
6. Resonant Frequency 4000Hz
7. Shell Material MPP0
8. Operating Temperature -20 ~+70°C
9. Store Temperature -30 ~+80°C
10. Weight 2g

Compliance with ROHS

KEPO NINGBO KEPO ELECTRONIC CO.,LTD
<http://www.chinaacoustic.com>

Magnetic Transducer
 KPM-G1411

No.	DESCRIPTION	MENDER	DATE	UNIT
TOLERANCES, UNLESS NOTED OTHERWISE		APPROVALS	DATE	
XX ±		LHJ	2008.04.17	DWG/NO.
XXX ±		CHECKED		OEM/2817R
90° ANGLES -1°		APPROVED		SCALE
FIRST ANGLE PROJECTION				NOT TO SCALE
				SHEET
				0.0评估版