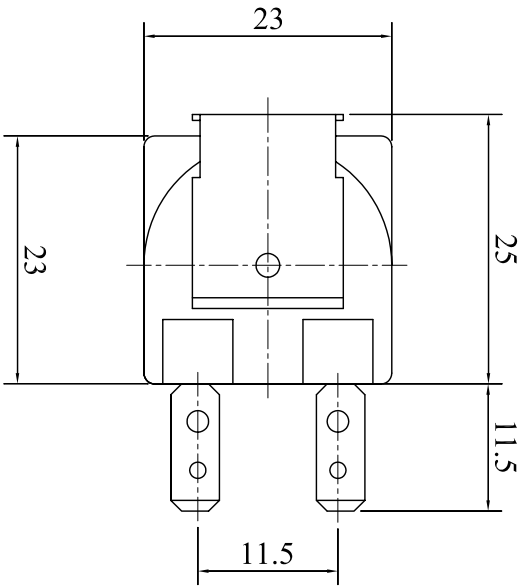
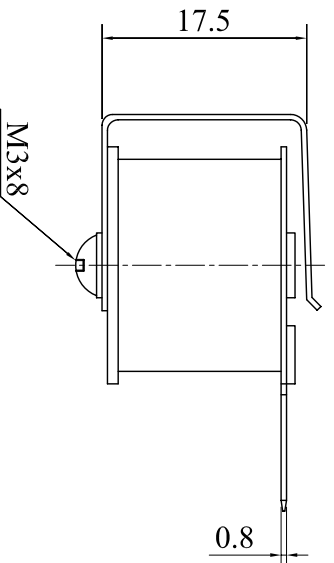


SPECIFICATION

- 1. Rated Voltage 110VAC/50~60Hz
- 2. Operating Voltage 90~130VAC
- 3. Max. Rated Current 60mA
- 4. Coil Resistance $1.7K \Omega \pm 10\%$
- 5. Min. Sound Pressure Level..... 78dB/110VAC/20cm
- 6. Case Material PPO
- 7. Operating Temperature -25~+75°C
- 8. Store Temperature -30~+80°C
- 9. Weight 26g
- 10. Bear Pressure..... 9Kg



No.	DESCRIPTION	APPROVED	DATE	KEPO NINGBO KEEP IMPROVING ELECTRONIC CO.,LTD http://www.chinaacoustic.com Magnetic Buzzer KPMB-23110	
TOLERANCES UNLESS NOTED OTHERWISE		APPROVALS	DATE		
xxx ±		DRAWN			
xxx ±		CHECKED		UNIT	DWG NO.
90° ANGLES ±°		APPROVED		mm	KP3.840.605.02
FIRST ANGLE PROJECTION			03.01.15	SCALE	SHEET
					VER. 1.0