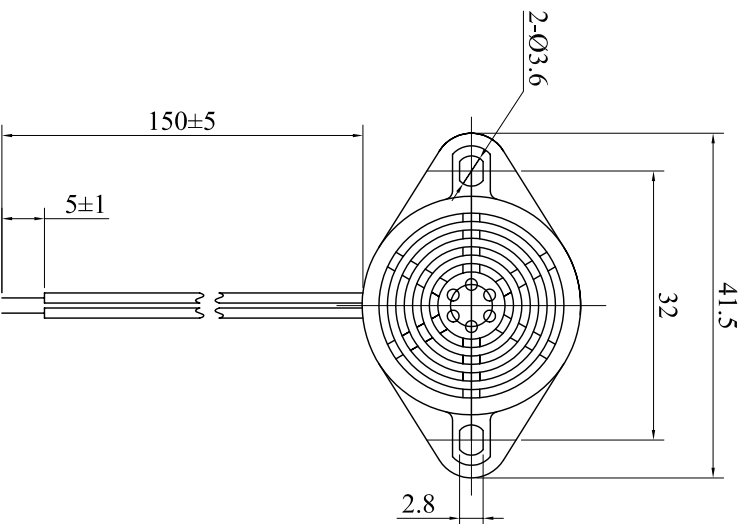
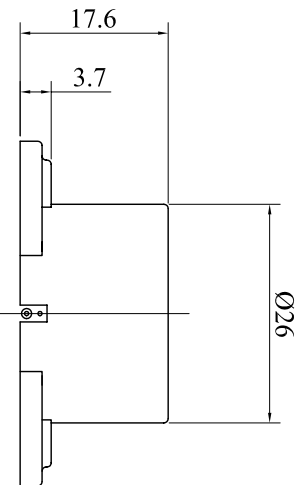


SPECIFICATION

- 1. Rated Voltage3VDC
- 2. Operating Voltage2~4VDC
- 3. Max. Rated Current30mA at 3VDC
- 4. Resonant Frequency400±100Hz
- 5. Min. Sound Pressure Level.....80dB at 3VDC/20cm
- 6. Response Time.....≤50ms
- 7. Case MaterialABS
- 8. Operating Temperature-20~+60°C
- 9. Store Temperature-30~+70°C
- 10. Weight12g



No.	DESCRIPTION	APPROVED	DATE	KEPO NINGBO KEEP IMPROVING ELECTRONIC CO.,LTD http://www.chinaacoustic.com Magnetic Buzzer KPMB-2603L UNIT: mm DWG NO: KP3.840.620 SHEET: VER: 1.0		
TOLERANCES UNLESS NOTED OTHERWISE		APPROVALS	DATE			
XX.X	mm	CHECKED				
XXX.X	mm	APPROVED	03.01.15			
FIRST ANGLE PROJECTION						