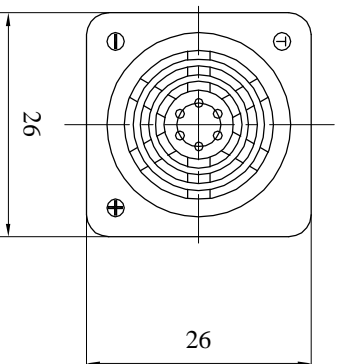
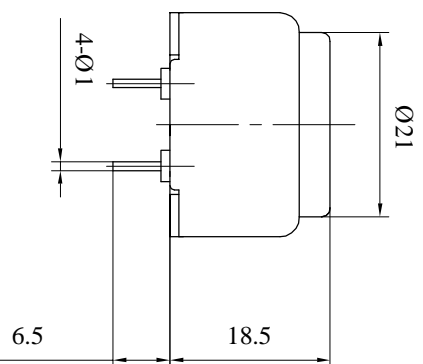
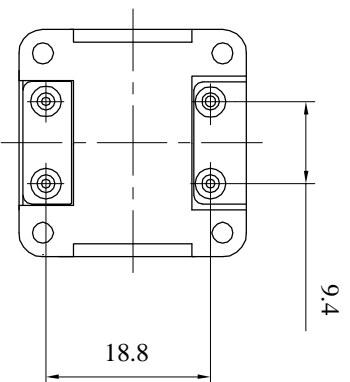
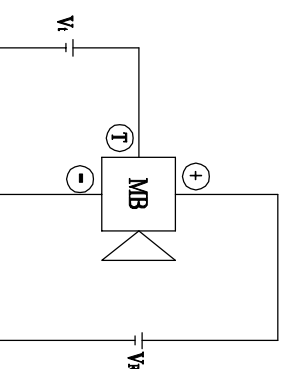


# Specifications

1. Rated Voltage ( $V_R$ ).....6VDC.
  2. Operating Voltage.....4~8VDC.
  3. Trigger Voltage ( $V_t$ ) .....≥4VDC.
  4. Resonant Frequency .....400±100Hz
  - ※5. Rated current.....≤30mA.
  - ★6. Response Time.....≤400ms
  - ※7. Min Sound Output at 20cm.....80dB
  - ※8. Trigger Current.....≤1mA
  9. Case Material.....ABS
  10. Operating Temperature.....-20°C~+60°C
  11. Storage Temperature.....-30°C~+70°C
  12. Weight.....10g
- ※ Valve applying rated voltage ( $V_R=V_i$ ).
- ★ Valve applying min operating voltage ( $V_R=V_i$ ).

## ■ COUPLED CIRCUIT



No.		DESCRIPTION		APPROVED		DATE	
DRAWN		CHECKED		APPROVALS		DATE	
UNIT		DWGNO		SCALE		SHEET	
mm		KPMB-2606P4		05.03.17		KP3.841.601	
Magnetic Buzzer		KEPO		NINGBO KEPO ELECTRONIC CO.,LTD		VER 1.0	
		http://www.chinacoustic.com					