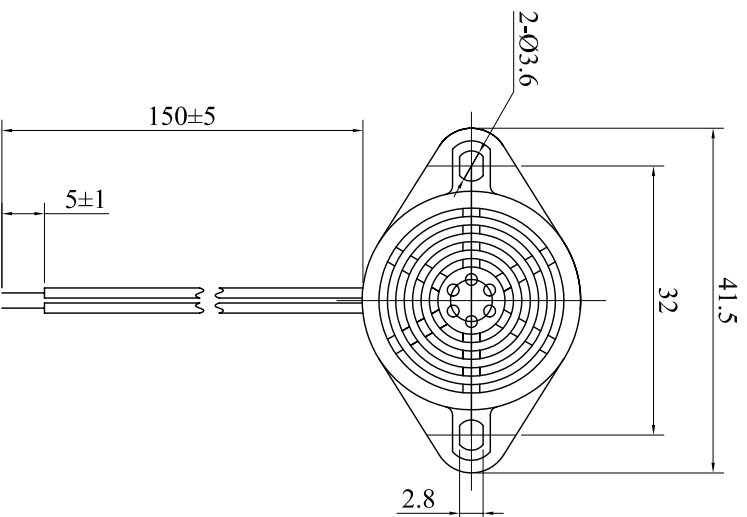
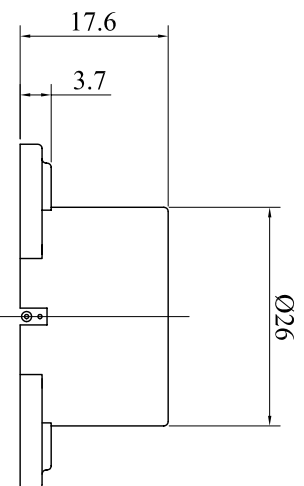


SPECIFICATION

- 1. Rated Voltage9VDC
- 2. Operating Voltage6~12VDC
- 3. Max. Rated Current30mA at 9VDC
- 4. Resonant Frequency400±100Hz
- 5. Min. Sound Pressure Level.....80dB at 9VDC/20cm
- 6. Response Time.....≤50ms
- 7. Case MaterialABS
- 8. Operating Temperature-20 ~ +60°C
- 9. Store Temperature-30 ~ +70°C
- 10. Weight12g



No.	DESCRIPTION	APPROVED	DATE	KEPO NINGBO KEEP IMPROVING ELECTRONIC CO.,LTD http://www.chinaacoustic.com Magnetic Buzzer KPMB-2609L		
TOLERANCES UNLESS NOTED OTHERWISE		APPROVALS	DATE			
mm	DRAWN	CHECKED				
XXX.X	APPROVED					
FIRST ANGLE PROJECTION				UNIT	DWG NO.	KP3.840.622
				SCALE	SHEET	VER. 1.0
				03.01.15		