

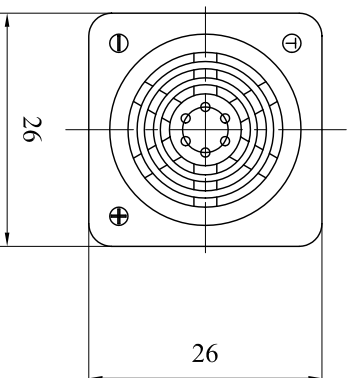
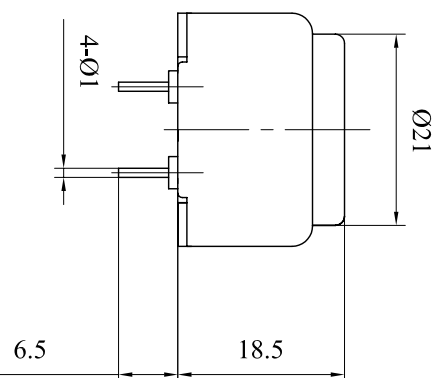
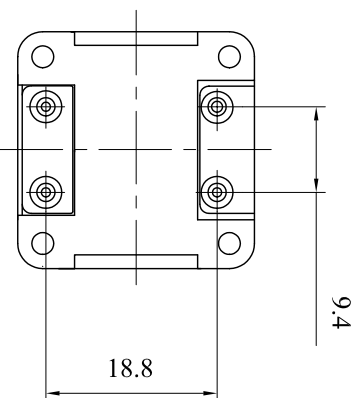
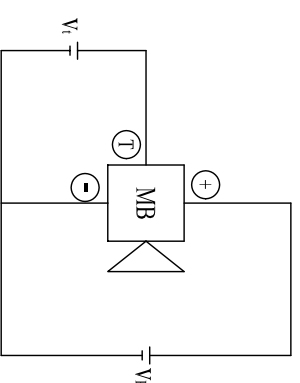
Specifications

1. Rated Voltage (V_R)..... 12VDC.
2. Operating Voltage..... 9~15VDC.
3. Trigger Voltage (V_t)..... $\geq 8VDC$.
4. Resonant Frequency..... $400 \pm 100Hz$
- ※5. Rated current..... $\leq 30mA$.
- ★6. Response Time..... $\leq 400ms$
- ※7. Min Sound Output at 20cm 85dB
- ※8. Trigger Current..... $\leq 1mA$
9. Case Material..... ABS
10. Operating Temperature..... $-20^\circ C \sim +60^\circ C$
11. Storage Temperature..... $-30^\circ C \sim +70^\circ C$
12. Weight..... 10g

※Valve applying rated voltage ($V_R=V_t$).

★Valve applying min operating voltage ($V_R=V_t$).

■ COUPLED CIRCUIT



No.		DESCRIPTION		APPROVED		DATE	
DRAWN		APPROVALS		DATE		DATE	
CHECKED		APPROVED		03.01.15		SCALE	
UNIT		mm		DWG NO.		KP3.840.610	
SHEET		VER.		1.0			
KEPO NINGBO KEPO IMPROVING ELECTRONIC CO., LTD http://www.chinaacoustic.com				Magnetic Buzzer KPMB-2612P4			
FIRST ANGLE PROJECTION							

