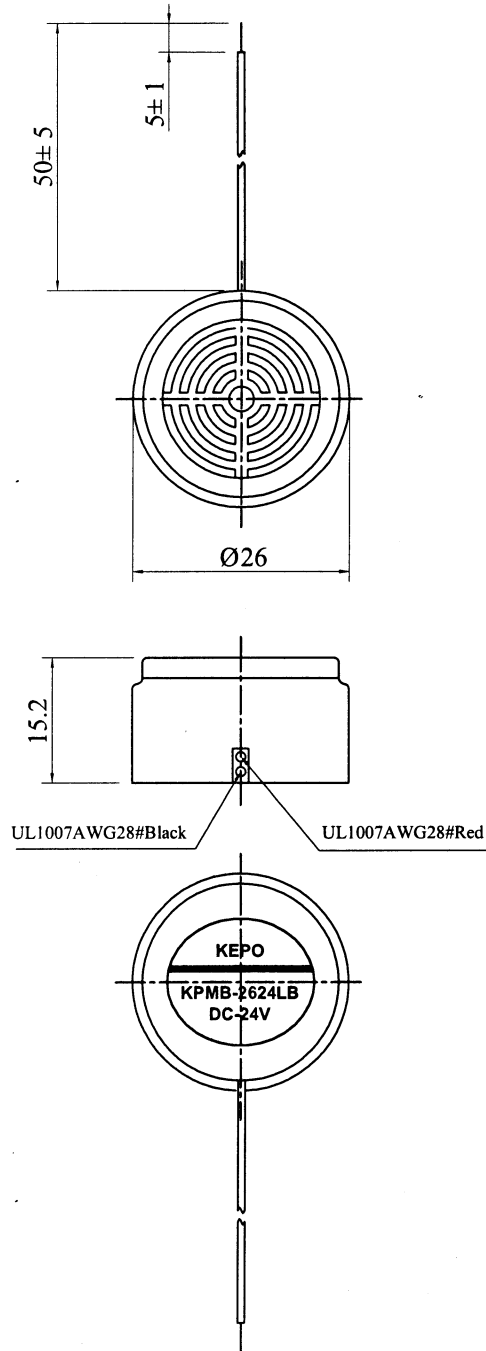


SPECIFICATION

- 1. Rated Voltage 24VDC
- 2. Operating Voltage 15~27VDC
- 3. Max. Rated Current 30mA at 24VDC
- 4. Resonant Frequency 400±100Hz
- 5. Min. Sound Pressure Level..... 85dB at 24VDC/20cm
- 6. Response Time..... ≤50ms
- 7. Shell Material/Color ABS/Black
- 8. Operating Temperature -20~+60℃
- 9. Store Temperature -30~+70℃
- 10. Weight 12g



				KEPO NINGBO KEPO ELECTRONIC CO., LTD http://www.chinaacoustic.com	
1.2	Amend "Label"	陈海斌	08.11.10	Mechanical Buzzer 宁波天星 KPMB-2624LB-2180	
No.	DESCRIPTION	MENDER	DATE		
TOLERANCES UNLESS NOTED OTHERWISE: X .# XX .# XXX .# 90° FORMED ±2° ANGLES ±1° FIRST ANGLE PROJECTION		APPROVALS		DATE	UNIT: mm DWG NO: CEM2180
		DRAWN	CHECKED	APPROVED	
				06.06.20	VER 1.2