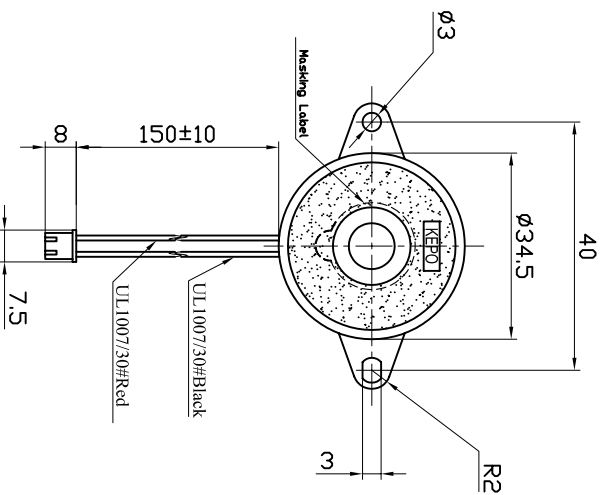
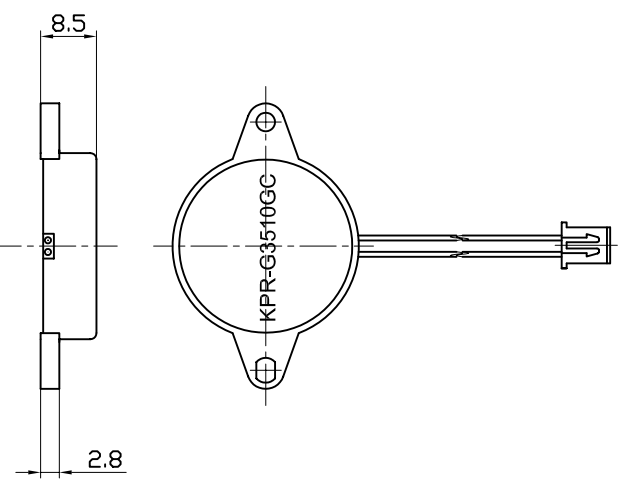


1. Rated Voltage..... 12Vp-p Square Wave  
 2. Max. Allowable Voltage..... 30Vp-p Square Wave  
 3. Max. Rated Current :..... 3mA at 12Vp-p/1.0KHz  
 4. Min. Sound Pressure Level:..... 78dB at 12Vp-p/1.0KHz/30cm  
 5. Resonant Frequency ..... 1.0±0.5KHz  
 6. Capacitance at 120Hz..... 50000pF±30%  
 7. Case Material/Color..... ABS/Black  
 8. Operating Temperature..... - 20~ + 60°C  
 9. Store Temperature..... - 30 ~ +70°C  
 10. Weight..... 5g

## SPECIFICATION



Compliance with ROHS			
<b>KEPO</b> NINGBO KEPO ELECTRONIC CO.,LTD <a href="http://www.chinacoustic.com">http://www.chinacoustic.com</a>			
Piezo Transducer QUARTZ-1		KPR-G3510GC-1880	
UNIT	DWG NO.	UNIT	DWG NO.
mm		mm	OEM1880R
SCALE	NOT TO SCALE	SCALE	NOT TO SCALE
APPROVED	梁樹榮	APPROVED	10.10.08
CHECKED	水成鋒	CHECKED	
NO.	DESCRIPTION	APPROVED	DATE
<small>           90° ANGLES ±2°            FORMED ±2°            X X ±            X X ±            X X ±            FIRST ANGLE PROJECTION         </small>			