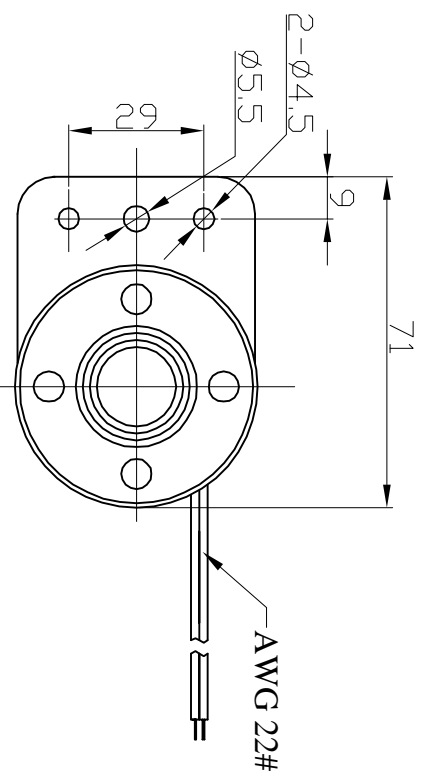
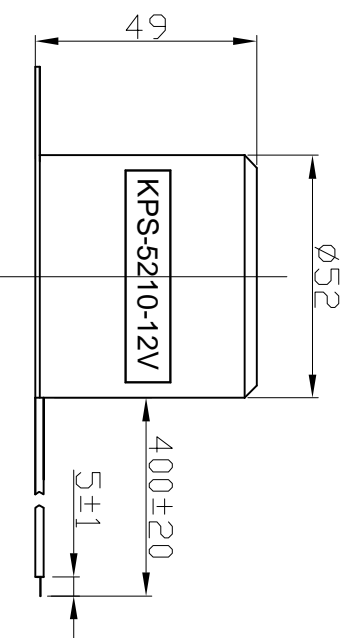


Specification

(Test Condition, 25 °C)

1. Housing Material/ Color ABS / Black
2. Rated Voltage 12VDC
3. Range Voltage 8-15 VDC
4. S.P.L. min. 105dB(at 1 meter, 12VDC)
5. Current Draw 280 mA Max (at 12 VDC)
6. Tone Nature Siren
7. Load Test 8 Hours (at 12 VDC)
8. Heat Test 8 Hours (at 60 °C)
9. Operating Temperature range -20 ~ +65 °C
10. Wires Connection Red +12V
Black GND
11. Weight 80 ±10 g



No. 1		DESCRIPTION		APPROVED		DATE		UNIT		DRAWN		CHECKED		APPROVED		DATE		SCALE		NOT TO SCALE		SHEET		VER	
KPS-5210-12V-1893		Piezo Siren		KPS-5210-12V-1893		05.12.09		mm		OEM1893		1.0													
<p>KEPO NINGBO KEPO ELECTRONIC CO.,LTD http://www.chinaacoustic.com</p> <p>QUARTZ-1 LTD</p>																									

A	1	2	3	4	5	6	7	8
B	1	2	3	4	5	6	7	8
C	1	2	3	4	5	6	7	8
D	1	2	3	4	5	6	7	8
E	1	2	3	4	5	6	7	8
F	1	2	3	4	5	6	7	8