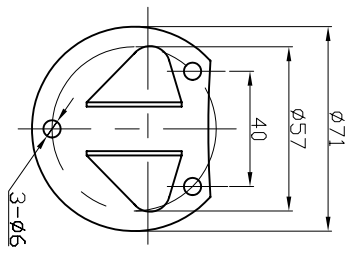
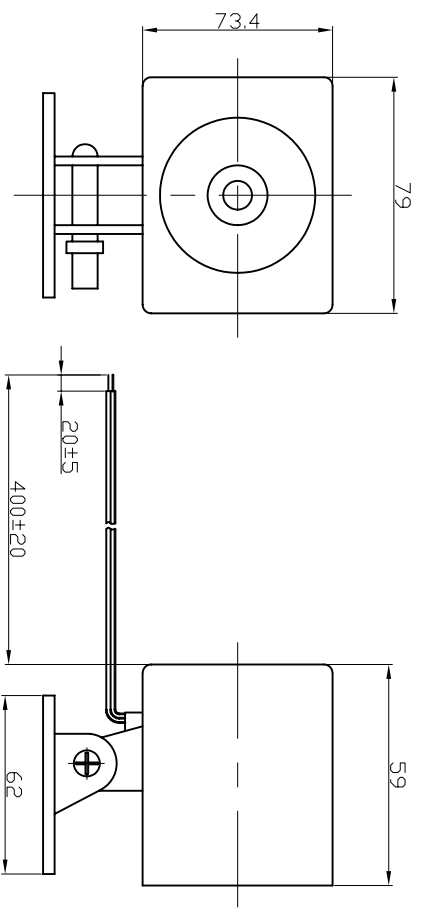


# Specification

(Test Condition, 25 °C)

1. Housing Material/ Color..... ABS / Black
2. Voice Coil Impedance ..... 6 Ohm (at 1 KHz)
3. Voice Coil Dimension .....  $\varnothing 25.4$  mm(Dia.)
4. Magnet Size .....  $\varnothing 60 \times 32 \times 10$  mm(Dia.\* dia.\*H)
5. Power Rating RMS ..... 15 W
6. Power Rating Peak ..... 20 W
7. Rated Voltage ..... 12 VDC
8. Range Voltage ..... 6--15 VDC
9. S.P.L. .... 106±2 dB(at 1 meter, 12VDC)
10. Tone Nature ..... Warble
13. Load Test ..... 8 Hours (at 12 VDC)
14. Heat Test ..... 8 Hours (at 60 °C)
15. Operating Temperature range ..... -20 ~ +60 °C
16. Wires Connection ..... Red +12V (Warble)  
..... Black GND
17. Weight ..... 495 ±10 g



No.		DESCRIPTION		APPROVED	DATE	<b>KEPO</b> NINGBO KEPI IMPROVING ELECTRONIC CO.,LTD <a href="http://www.chinaacoustic.com">http://www.chinaacoustic.com</a>
DESIGNER		DRAWN		APPROVED	DATE	
CHECKER		CHECKED		APPROVED	DATE	
FIRST ANGLE PROJECTION		APPROVED		APPROVED	DATE	
UNIT		SCALE		DWG NO.		<b>OEM609</b>
mm		NOT TO SCALE		SHEET		
VER		SCALE		SHEET		1.0

**KEPO**  
 NINGBO KEPI IMPROVING ELECTRONIC CO.,LTD  
<http://www.chinaacoustic.com>  
**Electronic Siren 赛格导航**  
**KPS-66S15A-1N**