

宁波凯普电子有限公司

Ningbo Keep Improving Electronics Co.Ltd.

Tel:(+86)0574-88370330
Fax:(+86)0574-88370329

E-Mail: kepo@mail.nbptt.zj.cn
Http://www.chinaacoustic.com

制 品 规 格 书 Engineering Laboratory Specification

客户名称 Customer		凯普型号 Kepo Model	KPSP2950PN-08/0.25A1						
客户型号 Customer NO.		图号 DWG NO.	KP3.841.087.03						
概述 Scop.	此确认书仅使用于微型喇叭 This specification is only used for micro speaker								
编号 NO.	项目 Items	规格 Specifications							
1	额定阻抗 Rated Impedance	8							
2	额定功率 Rated Noise Power	0.25W							
3	最大输入功率 Max.Input Power	0.25W							
4	谐振频率 Resonant Frequency	700 ± 25% Hz							
5	频率范围 Rated Frequency Range	f ₀ ~ 3.5KHz							
	输出声压 Ouput Sound Pressure Level	79 ± 3dB at 1W/M							
7	壳体材料/颜色 Shell Material/Color	ABS							
8	工作温度 Operating Temperature	-25 ~ +55							
9	贮存温度 Store Temperature	-25 ~ +55							
10	重量 Weight	5g							
备注 Note:									
设计 Designed By		查核 Checked By		承认 Approved By		版本 VER.	1.1	日期 Date	01.10.10

1

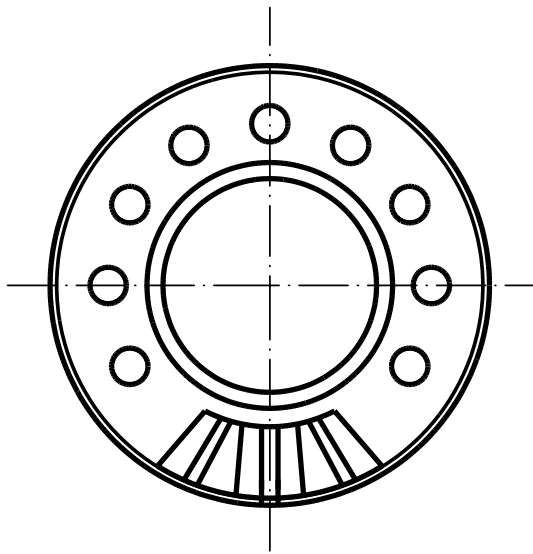
2

3

4

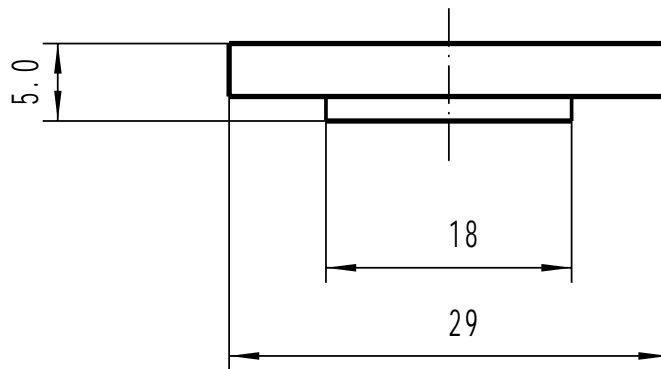
A

A



B

B



C

C

D

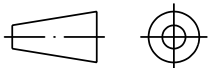
D

TOLERANCES UNLESS NOTED OTHERWISE

.X ±
.XX ±
.XXX ±

90° FORMED +2°
ANGLES -1°

FIRST ANGLE PROJECTION



	SIGN	DATE	KEPO MODEL NO.	CUSTOMER			
PREP.		01.10.09	KPSP2950PN-08/0.25A1	CUSTOMER NO.			
ENG.				DWG NO.			
PROJ.			KP3.841.087.03	REV	1.1	SHEET	
CONTRACT NO.				UNIT:	mm	SCALE	

AGENCY APPROVAL

KEPO CO. LTD.

TEL: (+86)574-88370330
FAX: (+86)574-88370329

1

2

3

4