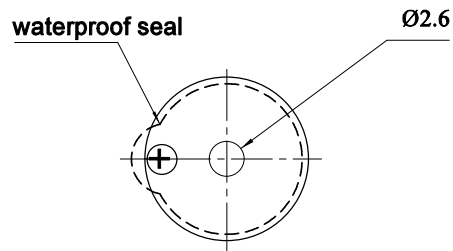
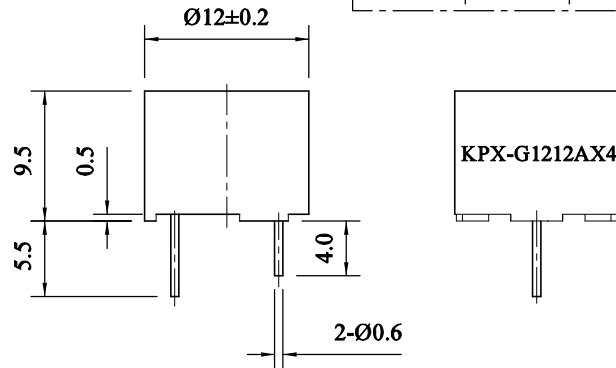
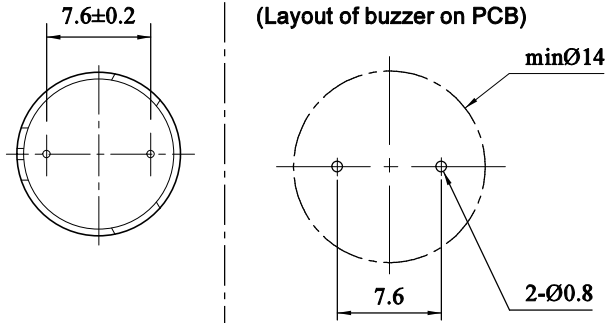


SPECIFICATION

1. Rated Voltage 12VDC
2. Operating Voltage 8~15VDC
3. Max. Rated Current 20mA/12VDC
4. Min. Sound Pressure Level 85dB/10cm
(串 100 Ω 电阻测试)
5. Resonant Frequency 2300±300Hz
6. Response Time 50ms
6. Case Material PPO
7. Operating Temperature -20~+70℃
8. Store Temperature -30~+80℃
9. Weight 2g

蜂鸣器在PCB板中的布局图
(Layout of buzzer on PCB)



				Compliance with ROHS	
				KEPO NINGBO KEPO ELECTRONIC CO.,LTD http://www.chinaacoustic.com	
				Magnetic Buzzer KPX-G1212Ax4	
No.	DESCRIPTION	APPROVED	DATE	UNIT	DWG NO.
TOLERANCES UNLESS NOTED OTHERWISE X * XX * XXX * ** FORMED ** ANGLES °		APPROVALS		mm	KP3.844.680R
		DRAWN	LY		
FIRST ANGLE PROJECTION		CHECKED	LXB	07.01.18	SCALE NOT TO SCALE
		APPROVED	WDY	07.01.18	
					VER 1.1