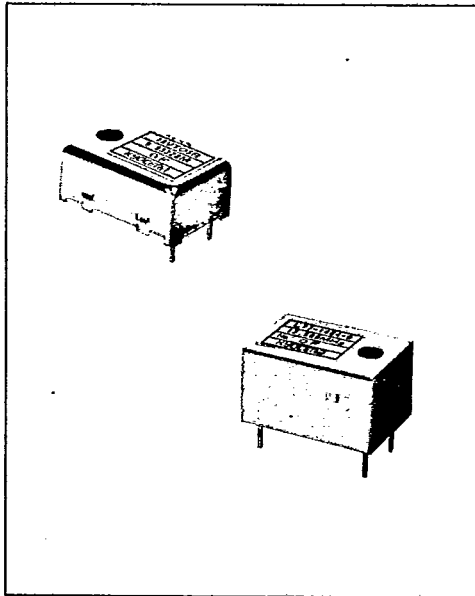


## TEMPERATURE COMPENSATIVE CRYSTAL OSCILLATORS (KTXO, KTDXO SERIES)

T-50-23

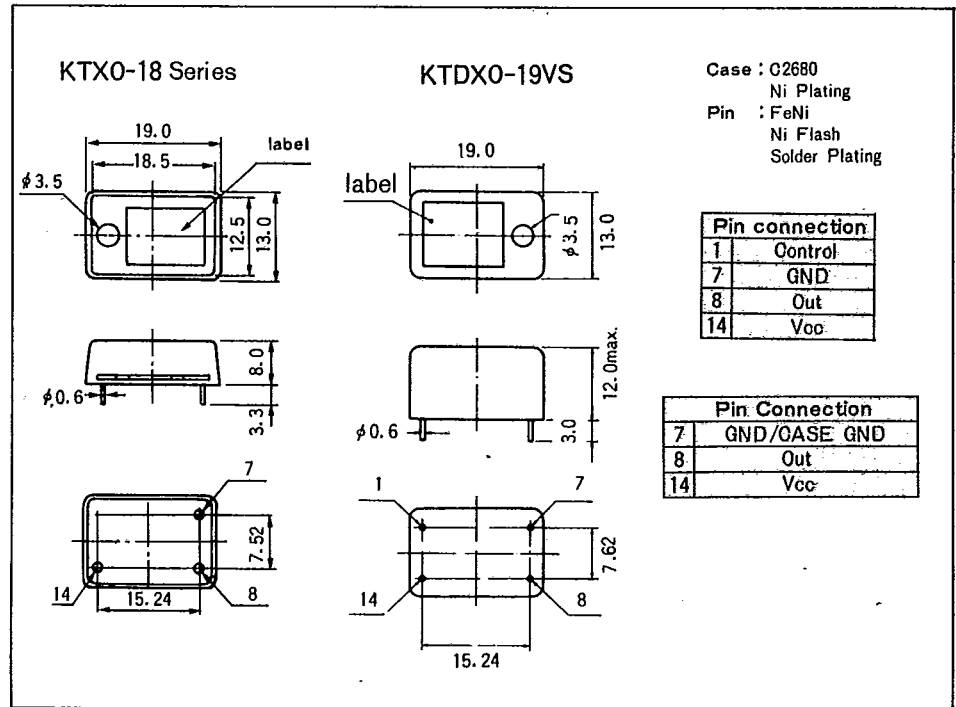
KTXO series is a temperature compensative crystal oscillator which achieves high frequency accuracy over a wide temperature range.

KTDXO-19VS series is a highly stable and reliable oscillator with precise temperature compensation achieved by unique digital circuit technology.



### ■ Dimensions

(Unit: mm)



Case : C2680  
Ni Plating  
Pin : FeNi  
Ni Flash  
Solder Plating

Pin connection	
1	Control
7	GND
8	Out
14	Vcc

Pin Connection	
7	GND/CASE GND
8	Out
14	Vcc

### ■ Specifications

Type	KTXO-18VT05B	KTXO-18S03B	KTDXO-19VS
Output frequency	8 to 18MHz	12.8MHz	12.5MHz
Operating temperature range	-10 to +60°C		-30 to +70°C
Frequency drift by temperature	± 5 ppm	± 3 ppm	± 2.5 ppm
Output	LSTTL 10 pate	1.0Vp-p/min/10kΩ · 10pF	1.0Vp-p/min/1kΩ · 10pF
Supply Voltage	DC 5V ± 0.5V		
Current Consumption	20mA max.	3mA max.	3mA max.
Size	18.5W X 12.5L X 8.0H		19W X 13L X 10.8H
Application	Facsimile machine	Cordless phone	Automobile Telephone MCA