

Precision Devices, Inc.

8840 N. Greenview Dr.
Middleton, WI 53562
Phone: 608-831-4445
1-800-274-XTAL
Fax: 608-831-3343



Visit our web site at www.pdixtal.com

Sales Information sales@pdixtal.com

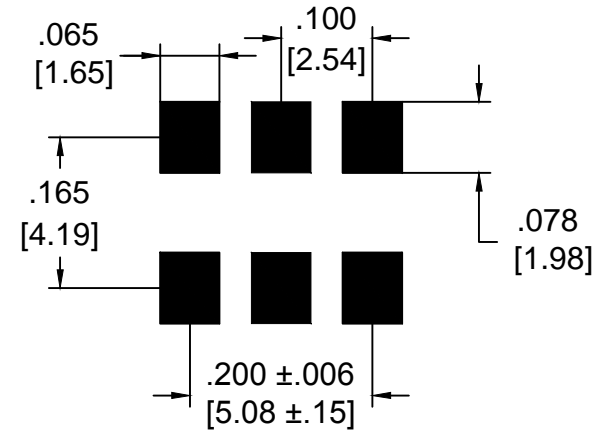
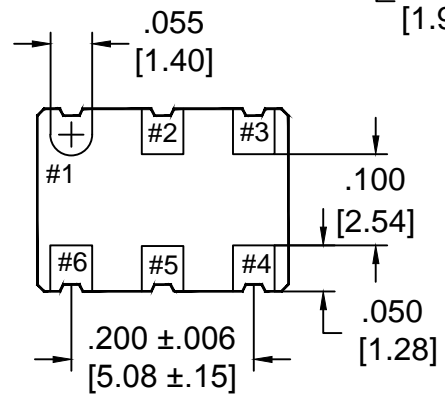
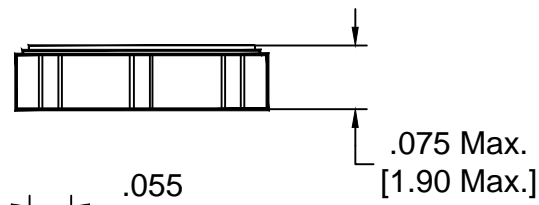
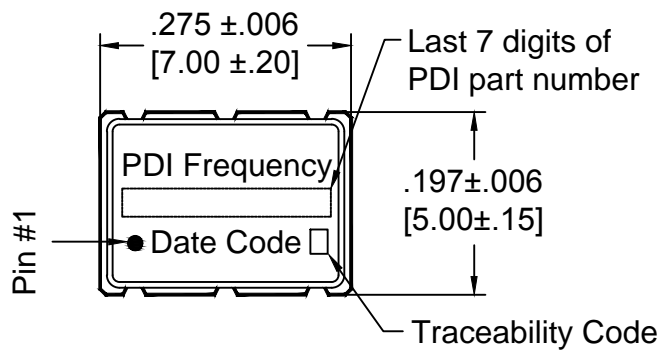
Electrical Specifications

- Center Frequency: 125.000000 MHz
- Output: LVDS
- Frequency Tolerance: See Note 5
- Operating Temperature Range: -40°C to +85°C
- Frequency Stability over Temperature: ±25ppm (All Inclusive @ 25°C, and 1 year of Aging)
- Storage Temperature Range: -55°C to +125°C
- Supply Voltage: +3.3Vdc ±5%
- Supply Current: 40mA Maximum
- Jitter: 1pS RMS Maximum, from 12kHz to 20MHz from carrier
- T-Rise/T-Fall: 700pS Maximum
- Output Swing: 250mV Minimum, 450mV Maximum, ref 80/20% waveform
- Duty Cycle: 45/55% Maximum
- Start up Time: 10mS Maximum
- Enable Pin1 with internal pull-up:

Enable = CMOS Logic "1" (80%Vcc Min.), or N/C
 Disable = CMOS Logic "0" (20%Vcc Max.), or Ground

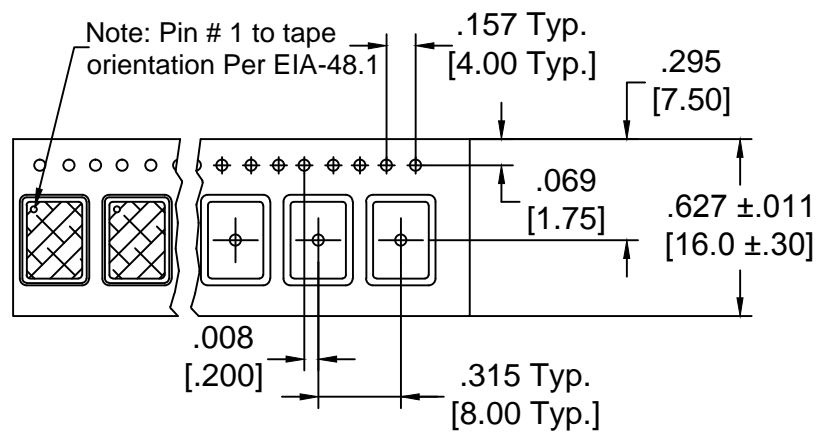
The information contained in this drawing is the sole property of Precision Devices Inc. Any reproduction in part or as a whole without the written permission of Precision Devices Inc. is prohibited.

REV.	DATE	PAGE	DESCRIPTION	Auth.	ECN	Originator	Date	Engineering	Date
						T.S.	2/16/12	B.A.	2/16/12
						TITLE Ceramic Oscillator Assembly		FKA	65938R
						PART NUMBER	LV07C12500MBDRX		
						DATE	SCALE	ECN.	REV.
						2/16/12	N.T.S.		A
						SIZE	CAGE	OS4G1	Page 1 of 2
						A			



Recommended Land Pattern

PIN	CONNECTION
1	Output/Enable
2	No Connect
3	Ground
4	Output 1
5	Output 2
6	Vcc



Precision Devices Inc.

8840 N. Greenview Dr.
 Middleton WI 53562
 608-831-4445
 1-800-274-XTAL



Manufacturer of Quartz Crystal Products

DECIMAL XX=±.020 XXX=±.008	DWG FILE 65938R	PART NUMBER LV07C12500MBDRX	
METRIC XX=±.50 XXX=±.20	SCALE N.T.S.	FREQUENCY 125.000000 MHz	DRAWN BY J.Lawinger
ANGULAR XX=±2°	REV. LEVEL A	ECN NO.	CAGE CODE OS4G1
			DATE 2/16/12
			Page 2 of 2