

Precision Devices, Inc.



8840 N. Greenview Dr.
 Middleton, WI 53562
 Phone: 608-831-4445
 1-800-274-XTAL
 Fax: 608-831-3343



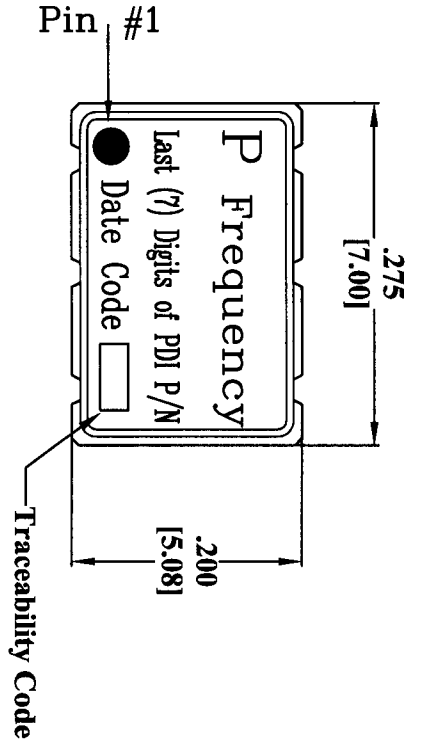
Visit our web site at www.pdixtal.com

Sales Information sales@pdixtal.com

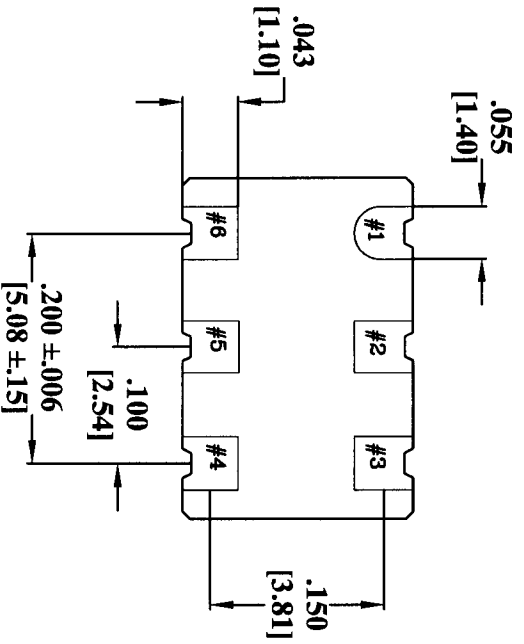
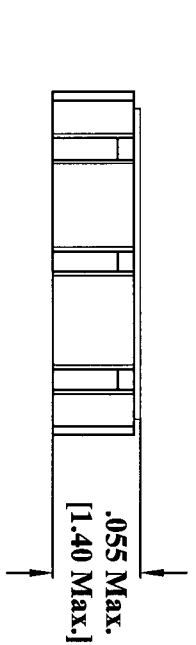
Electrical Specifications

1. Frequency: 156.250000MHz
2. Supply Voltage: +3.3Vdc \pm 0.3Vdc
3. Operating Temperature Range: 0°C to +70°C
4. Storage Temperature Range: -40°C to +100°C
5. Output: LV-PECL
6. Frequency Tolerance: \pm 50.0ppm
7. Frequency Stability: \pm 50.0ppm
8. Supply Current: 100.0mA Max.
9. Duty Cycle: 45/55% Typ.
10. T-Rise/T-Fall Time: 400.0ps Max
11. Start-up Time: 10.0ms Max.
12. Jitter:
 - Deterministic Jitter: 5.0ps Typ., 10.0ps Max.
 - Random Jitter: 3.0ps Typ., 4.0ps Max.
 - Sigma: 3.0ps Typ., 4.0ps Max.
 - Accumulated Jitter: 4.0ps Typ., 5.0ps Max.

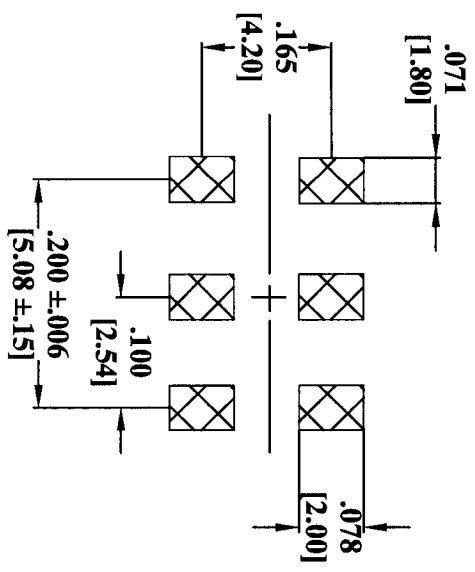
REV.	DATE	PAGE	DESCRIPTION	ECN	Originator	Date	Engineering	Date
					<i>IRB</i>	3-25-04	<i>DT</i>	3-25-04
					TITLE Ceramic SMD Crystal Oscillator		FKA 5146	
					PART NUMBER LV07C15625ECAXX			
					DATE 3/25/04	SCALE N.T.S	ECN. N/A	REV. N/A
					SIZE A	CAGE OS4G1	Page 1 of 2	



PIN	CONNECTION
1	Output Enable
2	N/C
3	Ground
4	Output
5	Output
6	Vcc



Recommended Land Pattern



Precision Devices Inc.

8840 N. Greenview Dr.
Middleton WI 53562
608-831-4445
1-800-274-XTAL

Manufacturer of Quartz Crystal Products

DECIMAL	DWG FILE	PART NUMBER
XX=±.020 XXX=±.008	5146	LV07C15625ECAXX
METRIC	SCALE	FREQUENCY
XX=±.50 XXX=±.20	N.T.S.	156.250000MHZ
ANGULAR	DRAWING TYPE	DATE
XX=±2°	Ceramic SMD Crystal Oscillator	3/25/04
REV. LEVEL	ECN NO.	CAGE CODE
N/A	N/A	OS4G1