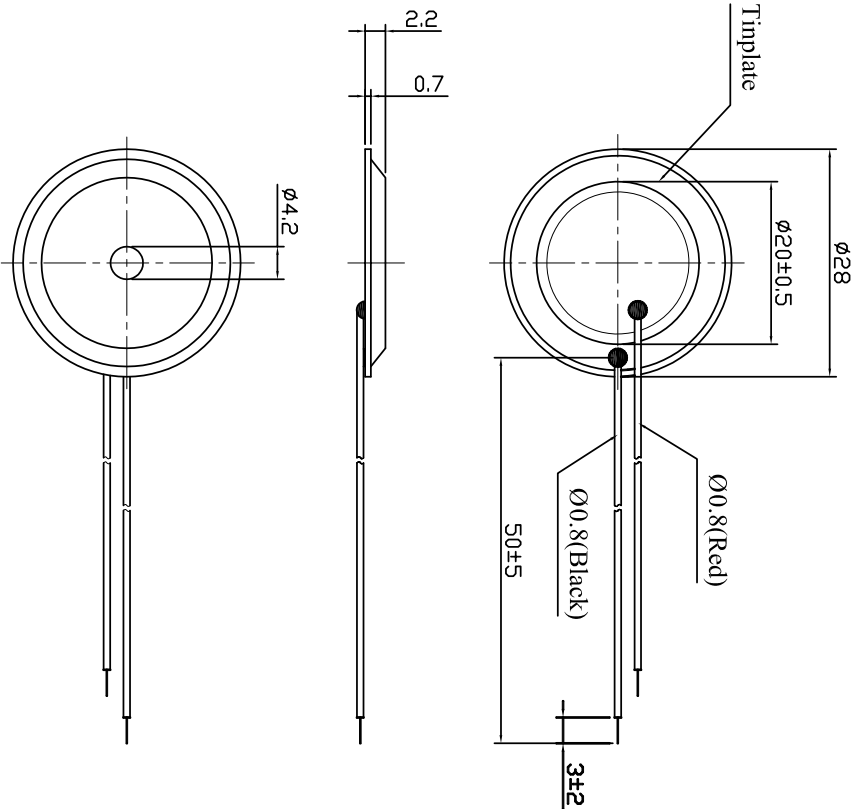


SPECIFICATION

1. Rated Voltage 12Vp-p Square Wave
2. Max. Allowable Voltage 30Vp-p Square Wave
3. Max. Rated Current 4mA at 4.0KHz/12Vp-p Square Wave
4. Min. Sound Pressure Level..... 85dB at 4.0KHz/12Vp-p Square Wave/10cm
5. Capacitance at 120Hz 25000pF±30%
6. Resonant Frequency 4.0±0.5KHz
7. Shell Material/Color..... Aluminium/Silver White
8. Operating Temperature -20~+60℃
9. Store Temperature -30~+70℃
10. Weight2g



No.	DESCRIPTION	APPROVED	DATE	KEPO NINGBO KEPO ELECTRONIC CO.,LTD http://www.chinaacoustic.com Piezo element with case MFT-27T-3,8AL-C			
中国声学研究所 NOTED/OTHERWISE		APPROVALS	DATE				
X X X .XXX X 90° FORMED ±° FIRST ANGLE PROJECTION		CHECKED					
		APPROVED	05.01.19				
				UNIT	DWG. NO.		
				mm	OEM1272		
				SCALE	SHEET		
				NOT TO SCALE	VER	1.1	