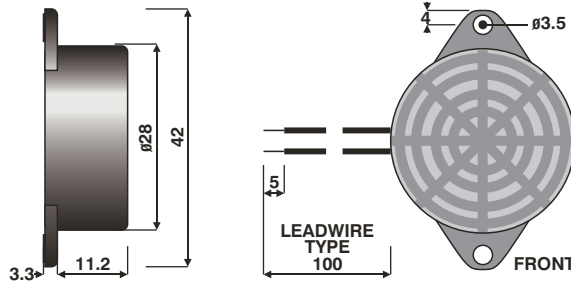


## ECONOMIC SOUNDERS

MODEL No.	OPERATING VOLTAGE	RATED VOLTAGE	MAX. CURRENT ATR. ATED VOLTAGE	FREQ. KHZ	MINI. SOUND PRESSURE AT RATED VOLTAGE /30cm	TONE	PULSE RATE AT RATED VOLTAGE PULSE/SEC.	TERMINAL
-----------	-------------------	---------------	--------------------------------	-----------	---	------	--	----------

### KIB18 MAGNETIC BUZZER

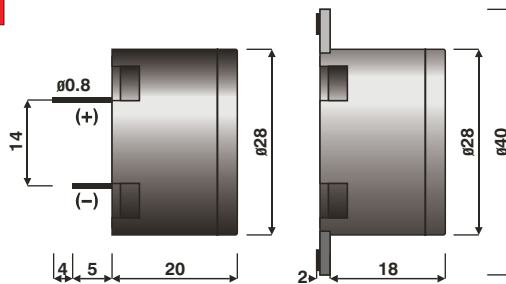
- Colour : Black
- Material of case : ABS
- Operating Temp. : -20°C +60°C
- Pin Type : EX INDENT



1S306L	4-9V DC	6V DC	35mA	2.8±0.2	85	SINGLE	NIL	LEAD
--------	---------	-------	------	---------	----	--------	-----	------

### KIB28 MAGNETIC BUZZER

- Colour : Black
- Material of case : ABS
- Operating Temp. : -20°C +60°C

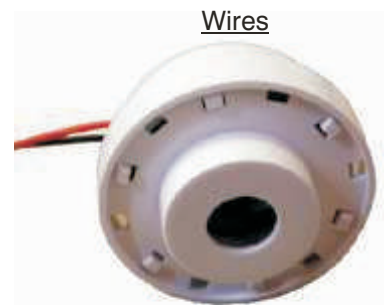
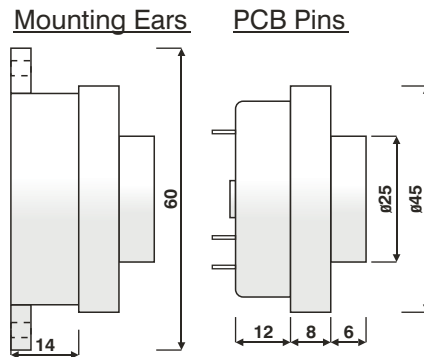


2S3120P	9-15V	12V DC	40mA	2.8±0.2	95	SINGLE	NIL	PIN
2S3120L								LEAD

### KIB38 LOW COST PIEZO BUZZER

(Also known as DBE38)

- Colour : Ivory
- Material of case : Fire Retardant ABS
- Operating Temp. : -20°C +60°C
- Material : Stainless steel piezo element



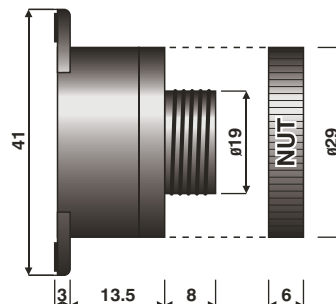
(Same dimensions as pins version)

3S312LE WITH EARS	1-13V DC	12V DC	30mA	2.9±0.5	105	SINGLE	NIL	LEAD
3S312P	1-13V DC	12V DC	30mA	2.9±0.5	105	SINGLE	NIL	PIN
3S312L								LEAD
3S324L	1-28V DC	24V DC	20mA	2.9±0.5	100	SINGLE	NIL	LEAD
3P312L	1-13V DC	12V DC	20mA	2.9±0.5	100	PULSE	2-7	LEAD

### KIB78 SHRIKE PIEZO BUZZER

Cutout: ø19mm

- Colour : Black
- Material of case : ABS
- Operating Temp. : -20°C +60°C

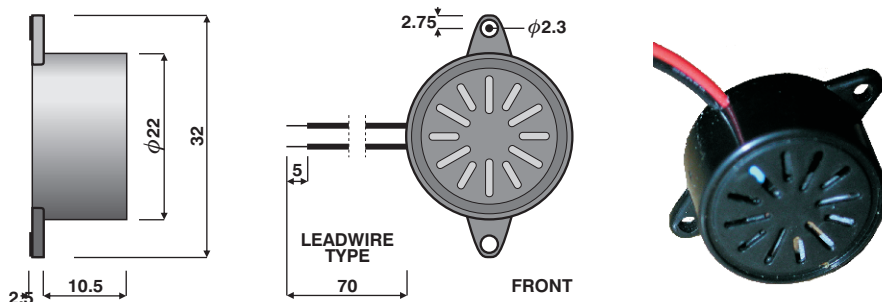


7S3120L	1.5-16V DC	12V DC	15mA	3.5±0.5	95	SINGLE	NIL	LEAD
7P3120L	6-16V DC	12V DC	10mA	3.5±0.5	90	PULSE	3 ± 1	LEAD
7D3240L	6-28V DC	24V DC	20/15mA	3.5±0.5	95/90	SINGLE OR PULSE	3 ± 1	LEAD

MODEL No.	OPERATING VOLTAGE	RATED VOLTAGE	MAX. CURRENT AT RATED VOLTAGE	FREQ. KHZ	MIN. SOUND PRESSURE AT RATED VOLTAGE /30cm	STONE	PULSE RATE AT RATED VOLTAGE PULSE/SEC.	TERMINALS
-----------	-------------------	---------------	-------------------------------	-----------	--	-------	--	-----------

### KIB98 MAGNETIC BUZZER

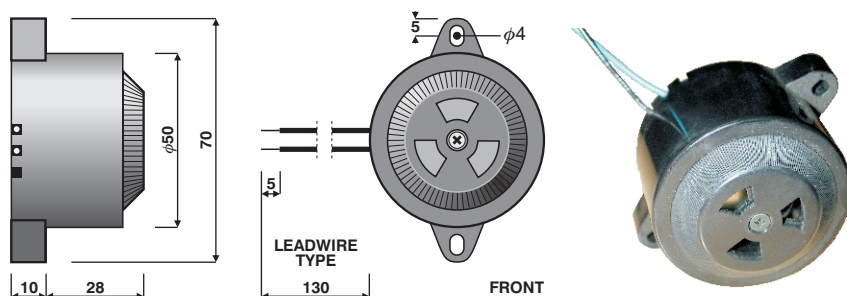
Colour : Black  
 Material of case : ABS  
 Operating Temp. : -20°C +60°C  
 Pin Type : EX INDENT



9S324L	7-28V DC	24V DC	8mA	3.4±0.5	85	SINGLE	NIL	LEAD
9S312P	6-16V DC	12V DC	8mA	3.4±0.5	85	SINGLE	NIL	PIN
13S412P	1-24V DC	12V DC	30mA	4±0.5	85	SINGLE	NIL	PIN

### KIB278 PIEZO BUZZER

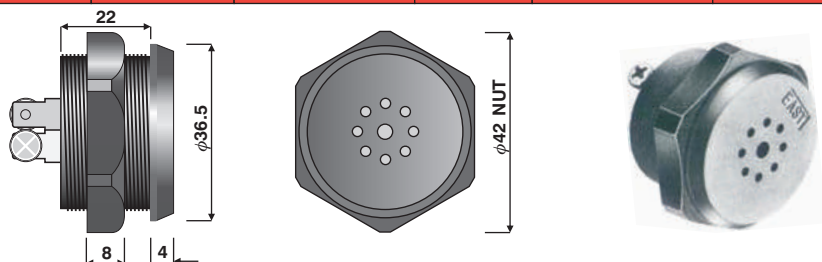
Colour : Black  
 Material of case : ABS  
 Operating Temp. : -20°C +60°C



27PN3120	3-16V DC	12V DC	45mA	3.2±0.5	105	PULSE	0.8-1.2	LEAD
----------	----------	--------	------	---------	-----	-------	---------	------

### FM-12HB-907 PIEZO BUZZER

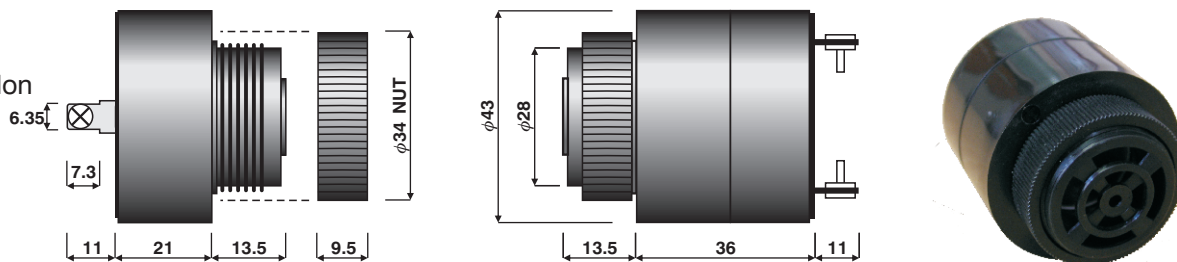
Cutout: φ31mm  
 Colour: Black  
 Material of case: PC  
 Operating Temp.: -20 C +70 C



FM-12HB-907	5-28V DC	12V DC	10mA	3±0.5	90	SINGLE OR PULSE	1.6Hz 20%	PIN
-------------	----------	--------	------	-------	----	-----------------	-----------	-----

### BLACKBIRD PIEZO BUZZER

Cutout: φ30mm  
 Colour: Black  
 Material of case: Nylon



#### BPM-12D to BPM-48B

#### BPM-110A & BPM-220A

ROBUST CONSTRUCTION, AQ MILITARY STANDARD, PANEL MOUNTED PIEZO BUZZER, (JAPANESE STAINLESS STEEL PIEZO ELEMENT), MEDIUM TO LOUD SOUND OUTPUT, IDEAL FOR CONTROL ROOM ALARMS.

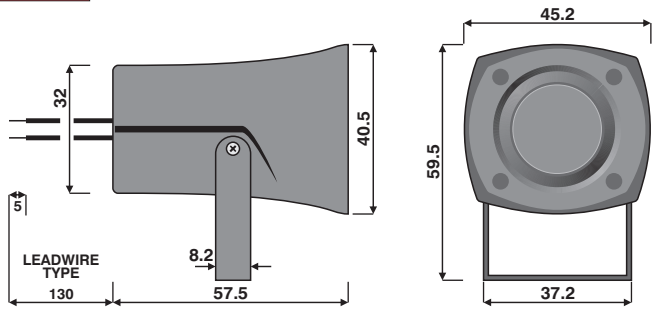
BPM-12D	1-16VDC	12VDC	30mA	2.9 0.5	100	SINGLE	NIL	SEE NOTE BELOW
BPMS-12B	4-16VAC/DC	12VAC/DC	30mA	2.9 0.5	80	SINGLE	NIL	
BPM-24D	4-28VDC	24VDC	22mA	2.9 0.5	80	PULSE	0.8-1.2	
BPM-24B	4-28VAC/DC	24VAC/DC	22mA	2.9 0.5	80	PULSE	0.8-1.2	
BPMS-24D	4-28VDC	24VDC	22mA	2.9 0.5	80	SINGLE	NIL	
BPM-32B	12-35VAC/DC	32VAC/DC	22mA	2.9 0.5	80	PULSE	0.8-1.2	
BPMS-32B	12-35VAC/DC	32VAC/DC	22mA	2.9 0.5	80	SINGLE	NIL	
BPM-48B	24-52VAC/DC	48VAC/DC	20mA	2.9 0.5	80	PULSE	0.8-1.2	
BPM-110A	30-120VAC/DC	110VAC/DC	10mA	2.9 0.5	80	PULSE	0.8-1.2	
BPM-220A	60-250VAC/DC	220VAC/DC	10mA	2.9 0.5	80	PULSE	0.8-1.2	

TERMINALS : INDUSTRIAL SCREW FOR LUG, OR REMOVE SCREW TO FIT 6,3mm "FAST-ON"

MODEL No.	OPERATING VOLTAGE	RATED VOLTAGE	MAX. CURRENT AT RATED VOLTAGE	FREQ. KHZ	MIN. SOUND PRESSURE AT RATED VOLTAGE /30cm	STONE	PULSE RATE AT RATED VOLTAGE PULSE/SEC.	TERMINAL
-----------	-------------------	---------------	-------------------------------	-----------	--	-------	--	----------

### MIGHTY MIDGET

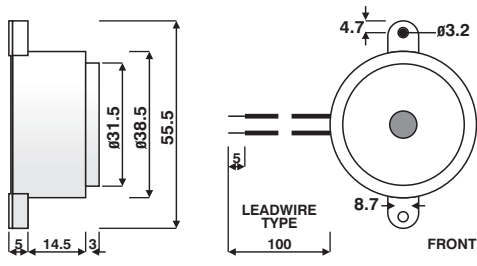
- Colour : Black
- Material of Case : ABS
- Operating Temp. : -20°C +60°C
- Terminals : UL WIRE #1007 24AWG
- Connection : Grey (+) & BLACK (-)



30S312L	6-12V DC	12V DC	150mA	3.2	100	SINGLE	NIL	LEAD
30T312L	6-13V DC	12V DC	150mA	(3.0-3.2)±0.5	100	TWO	NIL	LEAD

### KIB178 PIEZO BUZZER

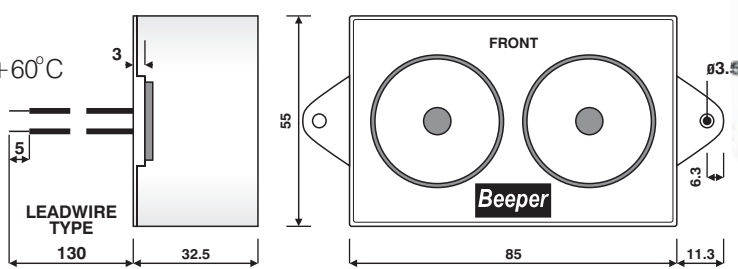
- Colour : White
- Material of Case : ABS
- Operating Temp. : -20°C +60°C



17S312L	6-15V DC	12V DC	40mA	(2.6-2.8)±0.5	80 (at 3M)	SINGLE	NIL	LEAD
17T312L	6-15V DC	12V DC	40mA	(2.6-2.8)±0.5	85 (at 3M)	TWO	NIL	LEAD

### KIB188 PIEZO SOUND BOMB 1

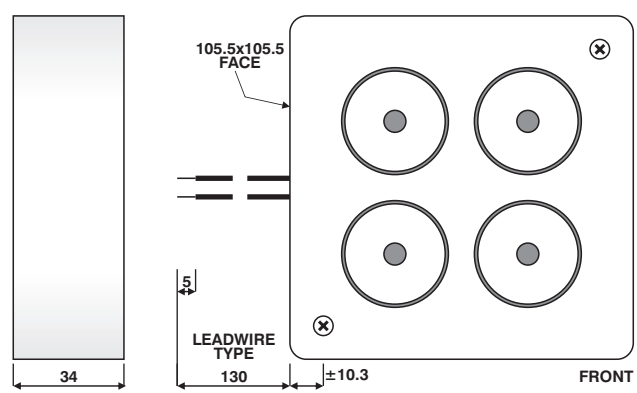
- Colour : Ivory
- Material of Case : ABS
- Operating Temp. : -20°C +60°C



18T312L	6-15V DC	12V DC	120mA	(2.6-2.8)±0.5	95 (at 3M)	TWO	NIL	LEAD
---------	----------	--------	-------	---------------	------------	-----	-----	------

### KIB198 PIEZO SOUND BOMB 2

- Colour : Ivory
- Material of Case : ABS
- Operating Temp. : -20°C +60°C

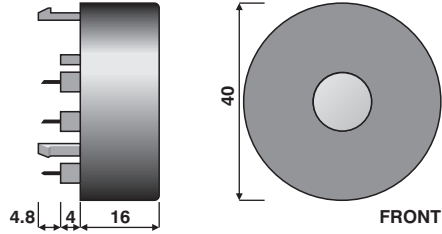


19T312L	6-15V DC	12V DC	190mA	(2.6-2.8)±0.5	102 (at 3M)	TWO	NIL	LEAD
---------	----------	--------	-------	---------------	-------------	-----	-----	------

MODEL No.	OPERATING VOLTAGE	RATED VOLTAGE	MAX. CURRENT AT RATED VOLTAGE	FREQ. KHz	MIN. SOUND PRESSURE AT RATED VOLTAGE	STONE	PULSE RATE AT RATED VOLTAGE PULSE/SEC.	TERMINAL
-----------	-------------------	---------------	-------------------------------	-----------	--------------------------------------	-------	--	----------

### KIB 168 PIEZO TRANSDUCER

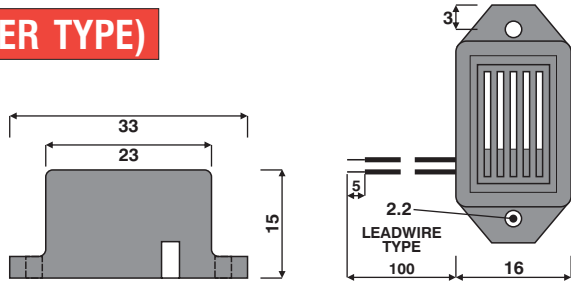
- Colour: Black
- Material of case: Nylon
- Operating Temp.: -20°+60°C



16PZ320	4.5-15V DC	9V DC	15mA	3.2±0.5	95 (at 30cm)	SINGLE	NIL	3 PIN
---------	------------	-------	------	---------	--------------	--------	-----	-------

### KIB 208 MAGNETIC BUZZER (HAMMER TYPE)

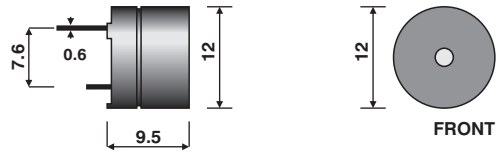
- Colour: Black
- Material of case: ABS
- Operating Temp.: -20°+60°C



20S1091	6-11V DC	9V DC	15mA	300-500	75 (at 20cm)	SINGLE	NIL	LEAD
20S1120	7-17V DC	12V DC						

### KIB MBS MAGNETIC BUZZER

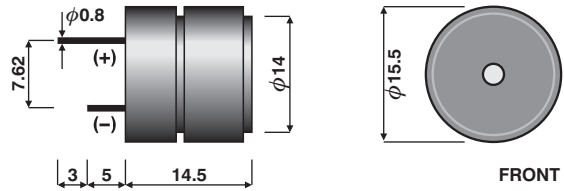
- Colour: Black
- Material of case: ABS OR NORYL SEI-GFN2
- Operating Temp.: -20°+60°C



MBS-05	4-6.5V DC	5V DC	30mA	2.3±0.3	85 (at 10cm)	SINGLE	NIL	PIN
MBS-12	10-14V DC	12V DC						

### KIB138 PIEZO BUZZER

- Colour : Black
- Material of case : ABS
- Operating Temp. : -20°C +60°C

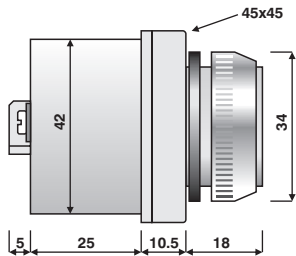


## HANYOUNG

### HY-306

Cutout: 30mm

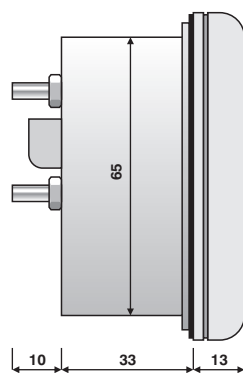
PLEASENT LOW FREQUENCY TONE



### BUZZERS

### HY-606

Cutout: 65mm



MODEL No.	OPERATING VOLTAGE	POWER CONSUMPTION	CYCLE	VOLUME (1m DISTANCE)	CUTOUT
HY-306	220V AC	4V A	50/60 Hz	85 Phon	30
HY-606	220V AC	8V A	50/60 Hz	85 Phon	65

## HANYOUNG POWER BUZZERS OPERATING PARAMETERS