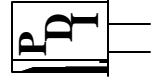
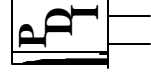


# Precision Devices, Inc.



8840 N. Greenview Dr.  
 Middleton, WI 53562  
 Phone: 608-831-4445  
 1-800-274-XTAL  
 Fax: 608-831-3343



Visit our web site at [www.pdixtal.com](http://www.pdixtal.com)

Sales Information [sales@pdixtal.com](mailto:sales@pdixtal.com)

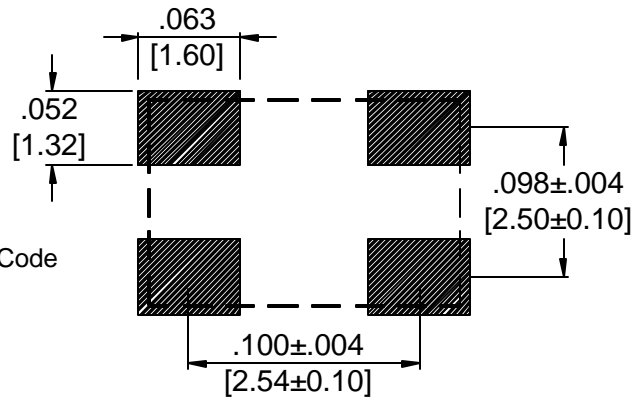
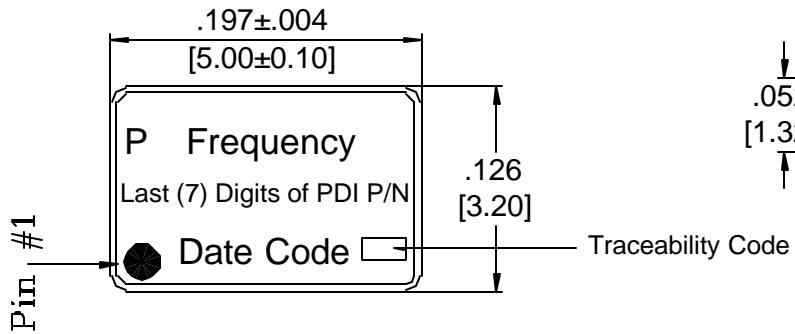
## Electrical Specifications

1. Center Frequency: 125.000000 MHz
2. Output: TTL/CMOS
3. Overall Frequency Stability:  $\pm 20$ ppm
4. Operating Temperature Range:  $-55^{\circ}\text{C}$  to  $+125^{\circ}\text{C}$
5. Supply Voltage (Vcc):  $+3.3\text{V} \pm 10\%$
6. Symmetry: 40/60 to 60/40% Typical, 45/55% @ 50% of Vcc
7. T-Rise, T-Fall: 6nS Maximum
8. Logic Levels:
  - Logic "1": 90% of Vcc Minimum
  - Logic "0": 10% of Vcc Maximum
9. Output Load: 30pF Maximum
10. Enable/Disable: Output enabled when pin 1 is @ Logic "1"  
 Output disabled when pin 1 is @ Logic "0"

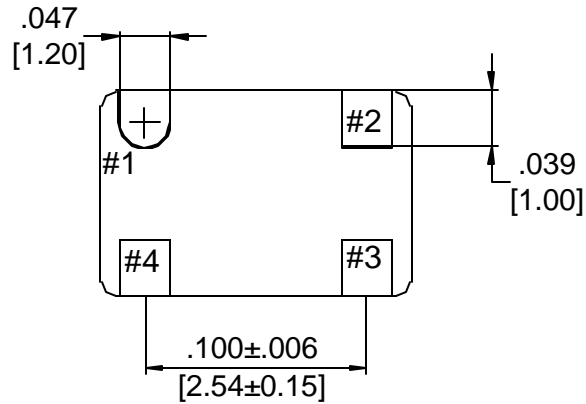
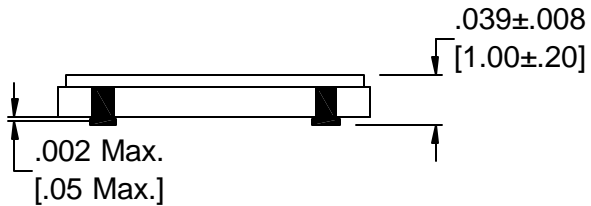
The information contained in this drawing is the sole property of Precision Devices Inc. Any reproduction in part or as a whole without the written permission of Precision Devices Inc. is prohibited.

REV.	DATE	PAGE	DESCRIPTION	Auth.	ECN
TITLE					FKA
Ceramic Crystal Oscillator Assembly					5989
PART NUMBER <b>OC5EC12500CSEX</b>					
DATE	SCALE	ECN.	REV.		
5/15/06	N.T.S.	N/A	N/A		
SIZE	A	CAGE	OS4G1		Page 1 of 2

**FOR PRELIMINARY USE ONLY**  
 Specifications subject to change without notice.



Recommended Land Pattern

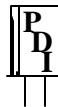


Pin	Connections
1	Enable/Disable
2	Ground
3	Output
4	Supply



# Precision Devices Inc.

8840 N. Greenview Dr.  
Middleton WI 53562  
608-831-4445  
1-800-274-XTAL



Manufacturer of Quartz Crystal Products

DECIMAL XX=±.020 XXX=±.008	DWG FILE <b>5989</b>	PART NUMBER <b>OC5EC12500CSEX</b>	
METRIC XX=±.50 XXX=±.20	SCALE <b>N.T.S.</b>	FREQUENCY <b>125.000MHz</b>	DRAWN BY <b>D. Baumgarten</b>
ANGULAR XX=±2°	REV. LEVEL <b>N/A</b>	ECN NO. <b>N/A</b>	DATE <b>5/15/06</b>
		CAGE CODE <b>OS4G1</b>	<b>Page 2 of 2</b>