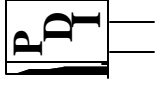


Precision Devices, Inc.

8840 N. Greenview Dr.
Middleton, WI 53562
Phone: 608-831-4445
1-800-274-XTAL
Fax: 608-831-3343



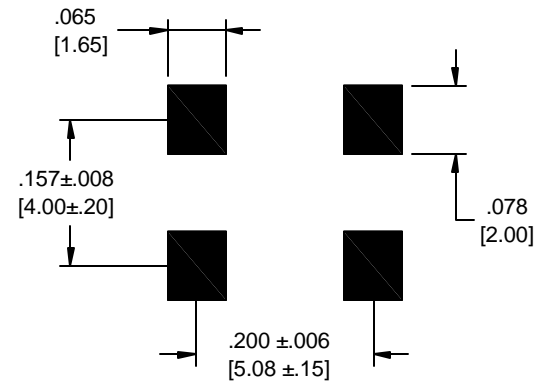
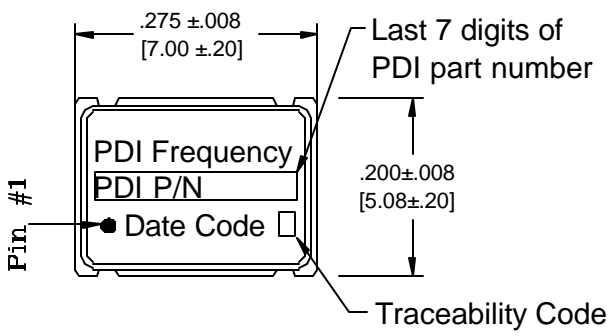
Visit our web site at www.pdixtal.com

Sales Information sales@pdixtal.com

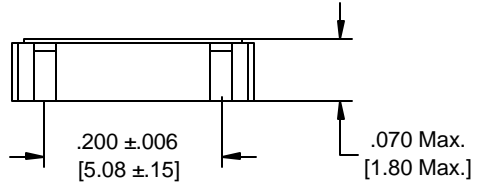
Electrical Specifications

- Center Frequency: 1.500000 MHz
- Output: CMOS
- Operating Temperature: -55°C to +125°C
- Storage Temperature: -55°C to +125°C
- Output Load: 50pF
- Output Voltage: Low: 0.5Vdc Maximum
High: 2.4Vdc Minimum
- Rise/Fall Times: 10nS Maximum
- Duty Cycle @1.4V: 45/55% Maximum
- Supply Voltage: +5.0Vdc±10%
- Supply Current: 15mA Maximum
- Change Over Temperature: ±50ppm Maximum
- Frequency Tolerance @25°C: ±15ppm Maximum
- Start-up Time: 10mS Maximum
- Frequency Aging: ±3ppm/1 year Maximum
±2ppm/after first year Maximum

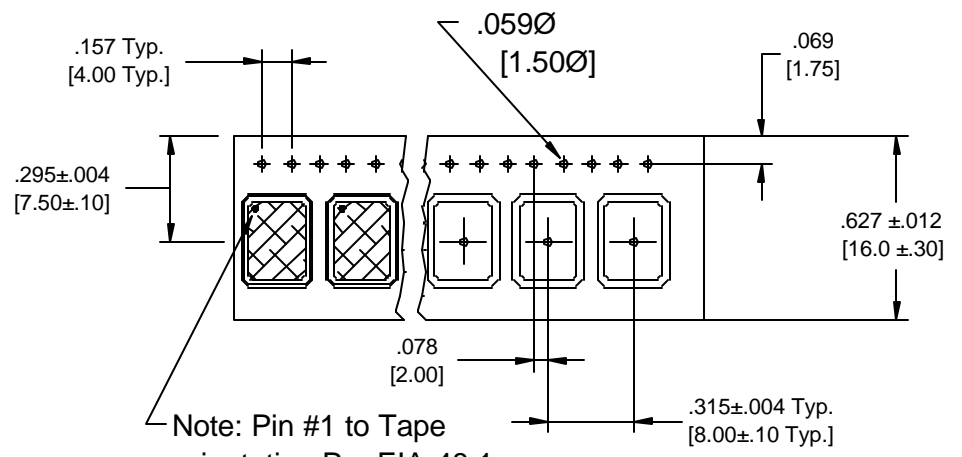
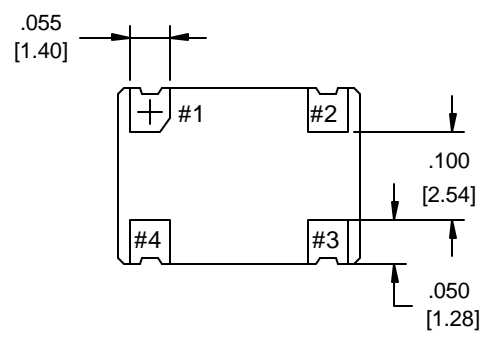
REV.	DATE	PAGE	DESCRIPTION	Auth.	ECN
<p>FOR PRELIMINARY USE ONLY Specifications subject to change without notice.</p>					
TITLE		Ceramic Oscillator Assembly		FKA 65552R	
PART NUMBER		OC7E01500XCSEX			
DATE	SCALE	ECN.	REV.		
1/28/10	N.T.S.	N/A	N/A		
SIZE	CAGE	0S4G1		Page 1 of 2	
	A				



Recommended Land Pattern



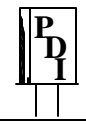
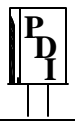
PIN	Connection
1	Enable/Disable
2	Ground
3	Output
4	Vcc



Note: Pin #1 to Tape orientation Per EIA-48.1

Precision Devices Inc.

8840 N. Greenview Dr.
Middleton WI 53562
608-831-4445
1-800-274-XTAL



Manufacturer of Quartz Crystal Products

DECIMAL XX=±.020 XXX=±.008	DWG FILE 65552R	PART NUMBER OC7E01500XCSEX	
METRIC XX=±.50 XXX=±.20	SCALE N.T.S.	FREQUENCY 1.500000 MHz	DRAWN BY J.Lawinger
ANGULAR XX=±2°	DRAWING TYPE Ceramic Oscillator Assembly		DATE 1/28/10
	REV. LEVEL N/A	ECN NO. N/A	CAGE CODE 0S4G1