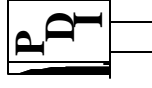


Precision Devices, Inc.

8840 N. Greenview Dr.
Middleton, WI 53562
Phone: 608-831-4445
1-800-274-XTAL
Fax: 608-831-3343



Visit our web site at www.pdixtal.com

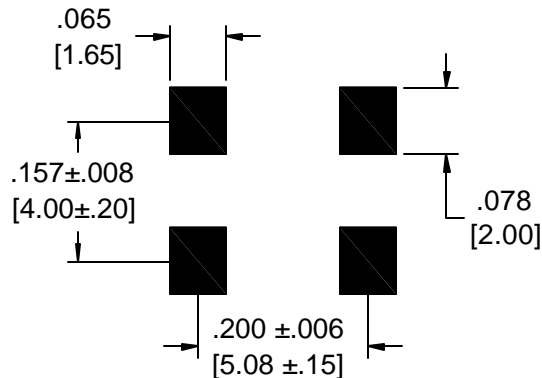
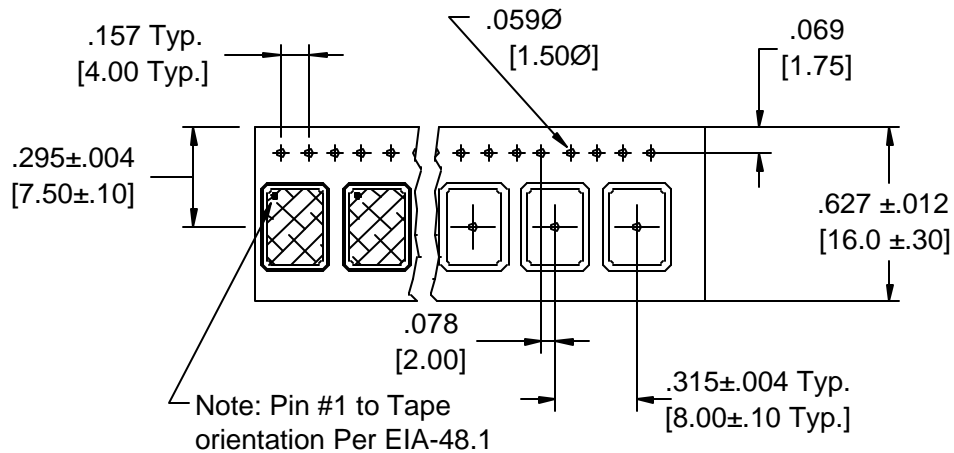
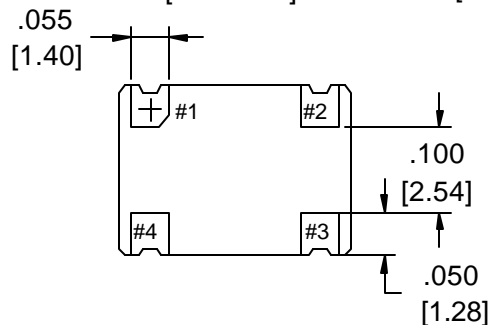
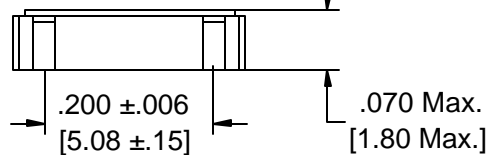
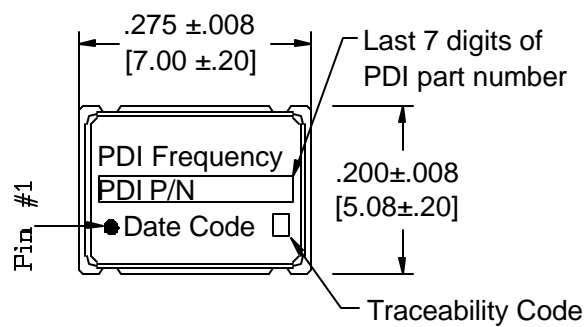
Sales Information sales@pdixtal.com

Electrical Specifications

1. Center Frequency: 13.000000 MHz
2. Output: TTL/CMOS
3. Frequency Tolerance @ +25°C: ±50ppm
4. Operating Temperature Range: -40°C to +85°C
5. Frequency Stability: ±50ppm
6. Storage Temperature Range: -55°C to +125°C
7. Duty Cycle: 45/55% Maximum
8. T-Rise, T-Fall: 6nS Maximum, 2nS Typical
9. Supply Current: 40mA Maximum
10. Supply Voltage: +3.3Vdc±10%

The information contained in this drawing is the sole property of Precision Devices Inc. Any reproduction in part or as a whole without the written permission of Precision Devices Inc. is prohibited.

REV.	DATE	PAGE	DESCRIPTION	Auth.	ECN	Originator	Date	Engineering	Date
						TITLE Crystal Oscillator Assembly		FKA 5013R	
						PART NUMBER OC7E13000XCDDR			
						DATE 11/5/08	SCALE N.T.S.	ECN. N/A	REV. N/A
						SIZE A	CAGE 0S4G1		Page 1 of 2



Recommended Land Pattern

PIN	Connection
1	Enable/Disable
2	Ground
3	Output
4	Vcc



Precision Devices Inc.

8840 N. Greenview Dr.
Middleton WI 53562
608-831-4445
1-800-274-XTAL



Manufacturer of Quartz Crystal Products

DECIMAL	DWG FILE	PART NUMBER	
XX=±.020 XXX=±.008	5013R	OC7E13000XCCDRX	
METRIC	SCALE	FREQUENCY	DRAWN BY
XX=±.50 XXX=±.20	N.T.S.	13.000000 MHz	J.Lawinger
ANGULAR	DRAWING TYPE	DATE	
XX=±2°	Crystal Oscillator Assembly	11/5/08	
	REV. LEVEL	ECN NO.	CAGE CODE
	N/A	N/A	0S4G1