



Precision Devices, Inc.

8840 N. Greenview Dr.
Middleton, WI 53562
Phone: 608-831-4445
1-800-274-XTAL
Fax: 608-831-3343



Visit our web site at www.pdixtal.com

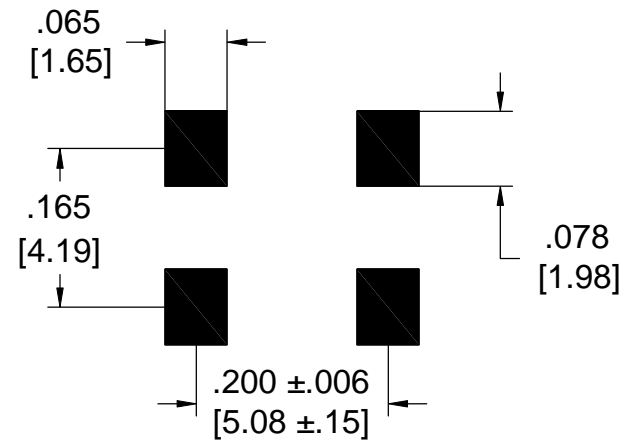
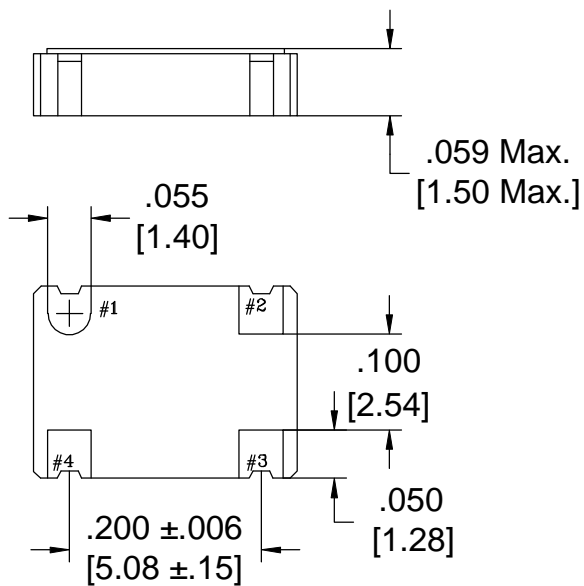
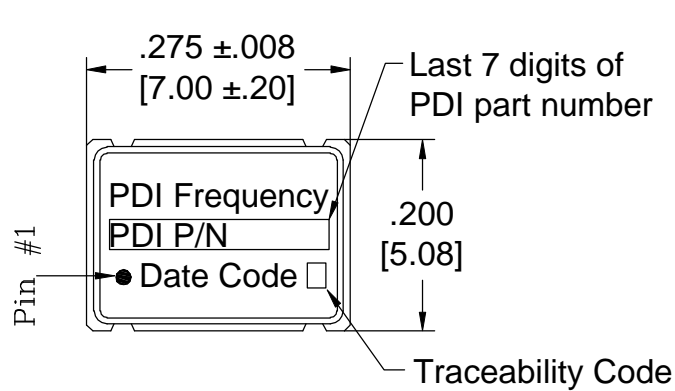
Sales Information

sales@pdixtal.com

Electrical Specifications

- Center Frequency: 14.745600MHz
- Output: HCMOS
- Frequency Stability: ± 50 ppm
- Operating Temperature Range: -40°C to $+85^{\circ}\text{C}$
- Storage Temperature Range: -55°C to $+125^{\circ}\text{C}$
- Supply Voltage: $+3.3\text{Vdc} \pm 5\%$
- Input Current: 8mA Max.
- Duty Cycle: 45/55% Max.
- T-Rise, T-Fall: 5.0nS Max., 2.0nS Typ.
- Output Voltage:
VOL: (IOL=2mA) 10% V Max.
VOH: (IOH=-2mA) 90% V Min.
- Output Load: 15pF Max.
- Start-Up Time: 10mS Max.
- Enable/Disable Time: 100nS Max.

REV.	DATE	PAGE	DESCRIPTION	Auth.	ECN	FOR PRELIMINARY USE ONLY Specifications subject to change without notice.	
						TITLE	FKA
						Ceramic SMD Crystal Oscillator Assembly 5647	
						PART NUMBER OC7E14745XHCDA	
						DATE	SCALE
						3/28/04	N.T.S.
						SIZE	REV.
						A	N/A
						CAGE	OS4G1
						Page 1 of 2	



Recommended Land Pattern

PIN	CONNECTION
1	Enable/Disable
2	Ground
3	Output
4	Vcc

Precision Devices Inc.

8840 N. Greenview Dr.
Middleton WI 53562
608-831-4445
1-800-274-XTAL



Manufacturer of Quartz Crystal Products

DECIMAL XX=±.020 XXX=±.008	DWG FILE 5647	PART NUMBER OC7E14745XHCDXA	
METRIC XX=±.50 XXX=±.20	SCALE N.T.S.	FREQUENCY 14.745600MHz	DRAWN BY D. Gibney
ANGULAR XX=±2°	REV. LEVEL N/A	ECN NO. N/A	DATE 3/28/05
		CAGE CODE OS4G1	Page 2 of 2