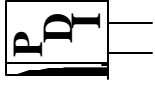


Precision Devices, Inc.

8840 N. Greenview Dr.
Middleton, WI 53562
Phone: 608-831-4445
1-800-274-XTAL
Fax: 608-831-3343



Visit our web site at www.pdixtal.com

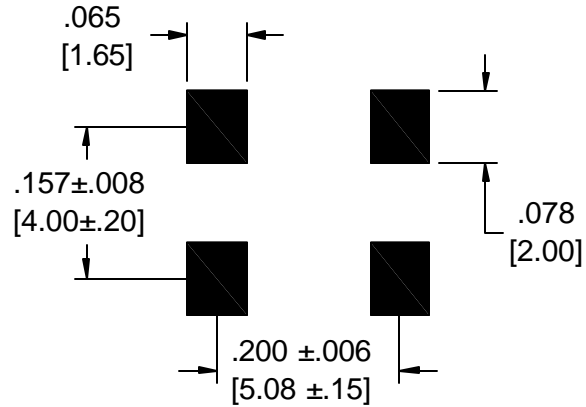
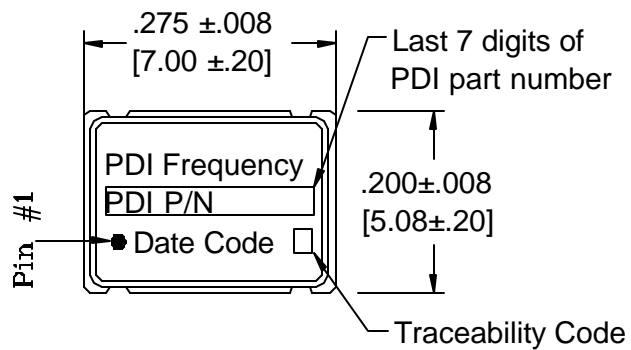
Sales Information sales@pdixtal.com

Electrical Specifications

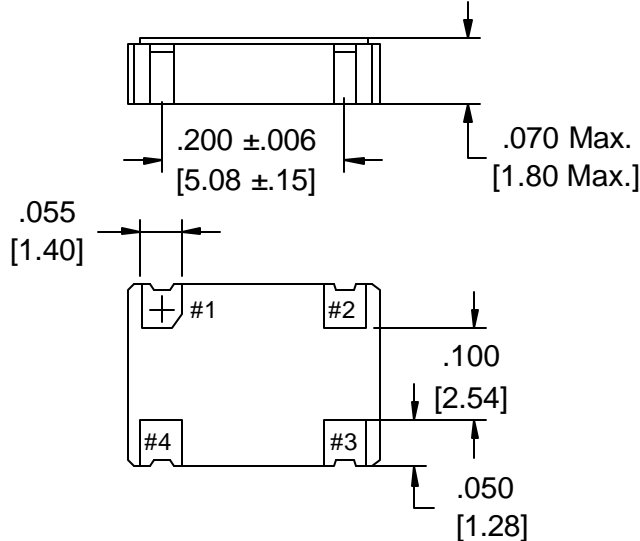
- Center Frequency: 48.000000MHz
- Output: TTL/CMOS
- Frequency Tolerance @ +25°C: ±50ppm
- Operating Temperature Range: -40°C to +85°C
- Frequency Stability: ±50ppm
- Storage Temperature Range: -55°C to +125°C
- Duty Cycle: 45/55% Max.
- T-Rise, T-Fall: 6.0nS Max., 2.0nS Typ.
- Supply Current: 50mA Max. for 70MHz, 25mA for 25MHz
- Supply Current O.T.: 60mA
- Supply Voltage: +3.3Vdc ±10%

The information contained in this drawing is the sole property of Precision Devices Inc. Any reproduction in part or as a whole without the written permission of Precision Devices Inc. is prohibited.

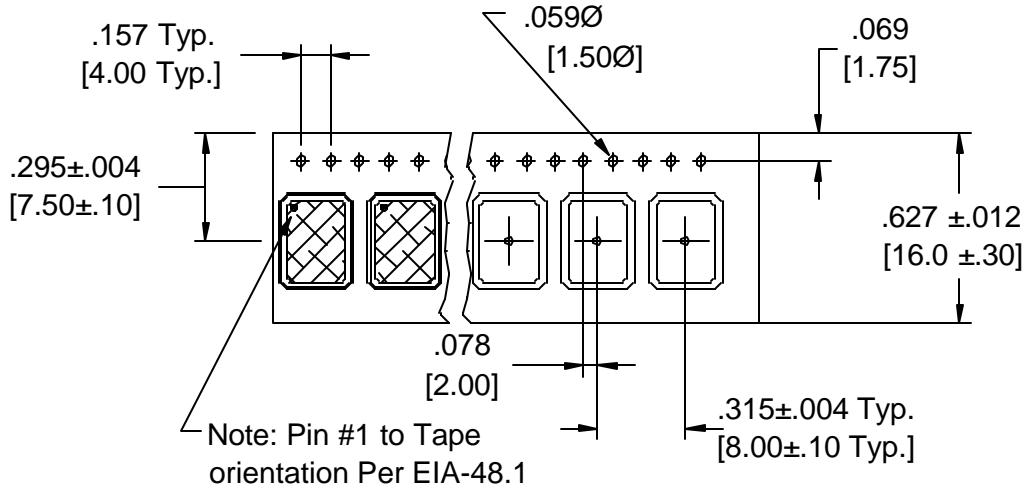
REV.	DATE	PAGE	DESCRIPTION	Auth.	ECN	Originator	Date	Engineering	Date
						J.L.	2/12/09	M.B.	2/12/09
						TITLE Ceramic Oscillator Assembly		FKA	4719R
						PART NUMBER	OC7E48000XCDDR		
						DATE	SCALE	ECN.	REV.
						2/12/09	N.T.S.	N/A	N/A
						SIZE	CAGE	Page 1 of 2	
						A	0S4G1		



Recommended Land Pattern



PIN	Connection
1	Enable/Disable
2	Ground
3	Output
4	Vcc



Precision Devices Inc.

8840 N. Greenview Dr.
 Middleton WI 53562
 608-831-4445
 1-800-274-XTAL



Manufacturer of Quartz Crystal Products

DECIMAL	DWG FILE	PART NUMBER	
XX=±.020 XXX=±.008	4719R	OC7E48000XCCDRX	
METRIC	SCALE	FREQUENCY	DRAWN BY
XX=±.50 XXX=±.20	N.T.S.	48.000MHz	D. Baumgarten
ANGULAR	DRAWING TYPE		DATE
XX=±2°	Crystal Oscillator Assembly		2/12/09
	REV. LEVEL	ECN NO.	CAGE CODE
	N/A	N/A	0S4G1