



# Precision Devices, Inc.

8840 N. Greenview Dr.  
Middleton, WI 53562  
Phone: 608-831-4445  
1-800-274-XTAL  
Fax: 608-831-3343



Visit our web site at [www.pdixtal.com](http://www.pdixtal.com)

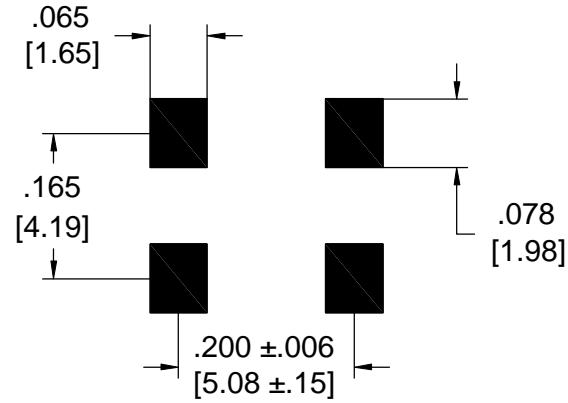
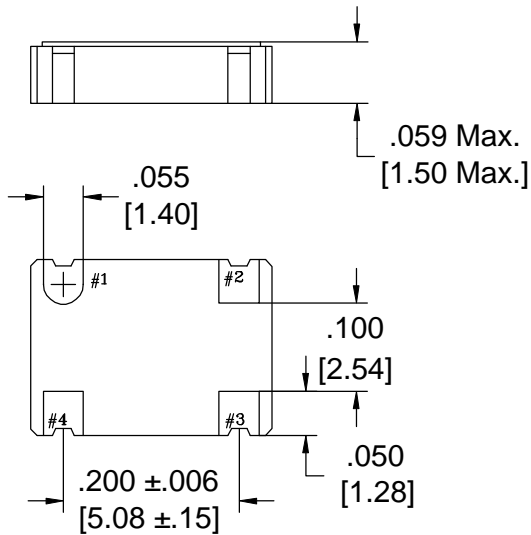
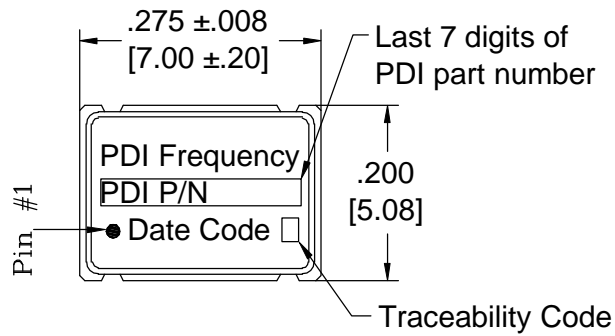
Sales Information [sales@pdixtal.com](mailto:sales@pdixtal.com)

## Electrical Specifications

1. Frequency: 4.096000MHz
2. Output: HCMOS
3. Frequency Tolerance @ 25°C: ±50.0ppm
4. Operating Temperature Range: -40°C to +85°C
5. Frequency Stability: ±50.0ppm inclusive of aging and temp stability over the life of the part
6. Storage Temperature Range: -55°C to +125°C
7. Duty Cycle: 45/55% Max.
8. T-Rise, T-Fall: 6.0nS Max., 2.0nS Typ.
9. Supply Current: 10.0mA Max.
10. Supply Current O.T.: N/A
11. Supply Voltage: +5.0Vdc ±10%
12. Load: 50.0pF or 10 TTL
13. Shock: Per MIL-STD-202, Method 213, Condition C
14. Vibration: Per MIL-STD-883 Method 2007, Condition A
15. Start Up Time: 10mSec Max.
16. Jitter: +/- 40 ps peak to peak Max.

The information contained in this drawing is the sole property of Precision Devices Inc. Any reproduction in part or as a whole without the written permission of Precision Devices Inc. is prohibited.

REV.	DATE	PAGE	DESCRIPTION	Auth.	ECN	Originator	Date	Engineering	Date
						AH	7/13/05	MB	7/13/05
						TITLE Crystal Oscillator Assembly		FKA 4987	
						PART NUMBER <b>OC7T04096XHCDDXX</b>			
						DATE 7/13/05	SCALE N.T.S.	ECN. E0644	REV. A
A	7/05	1	Added Items 13, 14, 15, & 16. Added "...inclusive of aging and temp stability over the life of the part." to Item 5	AH	E0644	SIZE A	CAGE OS4G1		Page 1 of 2



Recommended Land Pattern

PIN	CONNECTION
1	Tri-State
2	Ground
3	Output
4	Vcc

# Precision Devices Inc.

8840 N. Greenview Dr.  
Middleton WI 53562  
608-831-4445  
1-800-274-XTAL



Manufacturer of Quartz Crystal Products

DECIMAL XX±.020 XXX±.008	DWG FILE <b>4987</b>	PART NUMBER <b>OC7T04096XHCDXX</b>	
METRIC XX±.50 XXX±.20	SCALE <b>N.T.S.</b>	FREQUENCY <b>4.096000 MHz</b>	DRAWN BY <b>A. Hickman</b>
ANGULAR XX±2°	REV. LEVEL <b>A</b>	ECN NO. <b>E0644</b>	DATE <b>7/13/05</b>
	Ceramic Crystal Oscillator Assembly		CAGE CODE <b>OS4G1</b>