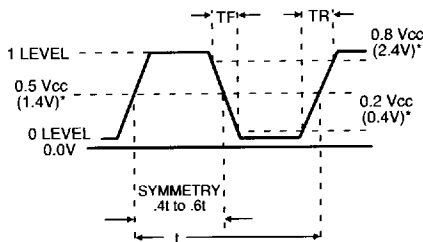


- High-Speed CMOS Output.
- TTL-Compatible: Drives up to 10 Standard TTL Loads.
- Available in a Wide Range of Frequencies.
- Hermetically Sealed in Metal Package.

STANDARD SPECIFICATIONS:

Frequency Range:	250 Hz to 100 MHz
Operating Temperature Range:	0°C to 70°C
Overall Frequency Stability:	±0.01% (100ppm) Standard also available.
Input Voltage (Vcc):	5Vdc ±10%
Input Current:	10mA to 60 mA without load. (Varies with frequency and load)

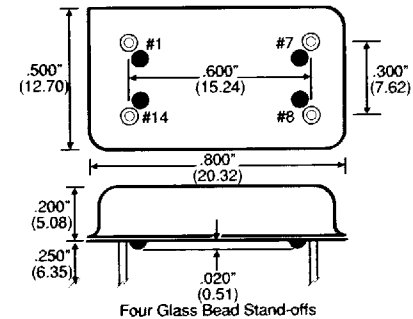


* Voltage levels in () refer to TTL levels.

Test Load:	50 pF (HC Device); 10-TTL +20 pF (TTL Device)
Output Symmetry:	60/40 to 40/60 (55/45 to 45/55 Typical)
Rise & Fall Times:	6nS Maximum with 10 TTL Load
Logic Level "1":	4.5 V Min. (HC Device) 2.4 V Min. (TTL Device)
Logic Level "0":	0.5 V Max. (HC Device) 0.4 V Max. (TTL Device)
Sealing Method:	Resistance Weid
Leads:	Nickel Plated; Solder Dipped



DIMENSIONS P1100-HC



Inches (Millimeters)

Model	Frequency Stability 0°C to 70°C
P1145-HC	±0.005% (50 ppm)
P1100-HC	±0.01% (100 ppm)
P1114-HC	±0.05% (500 ppm)
P1115-HC	±0.1% (1000 ppm)

**STANDARD FREQUENCIES
(MHz)**

1.000000	6.144000	18.432000	40.000000
1.843200	7.372800	19.660800	44.900000
2.000000	8.000000	20.000000	48.000000
2.457600	9.600000	24.000000	50.000000
3.579545	10.000000	25.000000	50.350000
3.686400	11.059200	25.175000	60.000000
4.000000	12.000000	28.322000	64.000000
4.915200	14.318180	30.000000	66.000000
5.000000	15.000000	32.000000	66.667000
5.068800	16.000000	33.333000	
6.000000	16.257000	36.000000	

PIN CONNECTION

1	N/C
7	Case Ground
8	Output
14	Input(Vcc)