

Specification for Horn Speaker		Page	2/9
		Revision No.	1.0
Model No.	SH-70AF20R8-L2050-7102	Drawing No.	KFC7102

CONTENTS

1. Scope
2. General
3. Electrical and Acoustic Characteristics.
4. Reliability Test
5. Measurement Block Diagram & Response curve
6. Dimensions
7. Packing
8. Revision

Specification for Horn Speaker		Page	3/9
		Revision No.	1.0
Model No.	SH-70AF20R8-L2050-7102	Drawing No.	KFC7102

1. Scope

This specification is applied to the Siren used for sounder in alarm systems. Please contact us when using this product for any other applications than described in the above.

2. General

- 2.1 Out-Diameter : 76.5 mm
- 2.2 Height : 42 mm
- 2.3 Length : 68 mm
- 2.4 Weight : 190 g ±10g
- 2.5 Operating Temperature range:
-30~+63 °C without loss of function
- 2.6 Store Temperature range:
-40 ~+85 °C without loss of function

3. Electrical and Acoustic Characteristics.

Test condition : 15 ~ 35 °C, 25% ~ 85% RH, 860~1060 mbar

No	Items	Specification
1	Voice Coil Impedance	6.7 Ω ± 0.4Ω D.C.R20°C±5%
2	Sound Pressure Level	≥100 dB at 1W 1M f1.8-3.5k Average B&K
3	Resonance Frequency	1800 Hz ± 20%
4	Frequency Range	FO ~5KHz
5	Input Power	Rated 5 W / Max. 8 W
6	Magnet size	Φ70*32*8 mm(Dia.*dia.*H)
7	Buzz and Rattle	Should not be audible buzzes,rattles when the 4V sine wave signal swept at frequency range.
8	Polarity	When supplied plus D.C. voltage to (+) terminal, the cone diaphragm must move to forward.
9	Case Material/Color	PA66/BLACK

Specification for Horn Speaker

Page

4/9

Revision No.

1.0

Model No. :

SH-70AF20R8-L2050-7102

Drawing No.

KFC7102

4. Reliability Test

After test(1~6item), the Electronic Siren S.P.L . difference shall be within $\pm 10\text{dB}$, and the appearance not exist any change to be harmful to normal operation(e.g.cracks,rusts,damages and especially distortion).

No	Items	Specification
1	Normal temperature ON/OFF Operation Endurance Test	Applying power 5W (20Hz~20kHz,sine wave frequency scan signal,scan speed 1s)carry out operation patterns for 250 hours on/off operation,every on/off circle take 12 second,6s on and 6s off,Put the samples in normal condition for 2 hours.sounder shall be measured.
2	High Temperature Leaving & High temperature operation Endurance Test	Leaving the samples in the test chamber with temperature $85\pm 3^{\circ}\text{C}$ for 96 hours.Put the samples in normal condition for 2 hours, sounder shall be measured,apply power 5W(20Hz~20kHz,sina wave frequency scan signal,scan speed 1s),temperature $65\% \pm 3^{\circ}\text{C}$,carry out operation patterns for 48 hours.sounder shall be measured;put the samples in normal condition for 2 hours.sounder shall be measured
3	Low Temperature Leaving & Low temperature operation Endurance Test	Leaving the samples in the test chamber with temperature $-40\% \pm 3^{\circ}\text{C}$,for 96 hours,Put the samples in normal condition for 2 hours.sounder shall be measured apply power 5W(20Hz~20kHz,sine wave freuency scan signal,scan speed 1s),temperature $-30\% \pm 3^{\circ}\text{C}$,carry out operation patterns for 48 hours,Put the samples in normal condition for 2 hours
4	High Temperature & Hig Humidity operation Test	Leaving the samples in the test chamber with temperature $63\% \pm 3^{\circ}\text{C}$,humidity $95\% \pm 5\%$ for 96 hours. put the samples in normal condition for 2 hours.sounder shall be measured.
5	Vibration & Drop Test	Put the sampels in test equipment, vibrate at speed 4.4G(43.1m/s^2) , vibration of amplitude 1.5mm ,33 Hz in X Y Z directions for 4hours. Put the samples in normal condition for 2 hours.sounder shall be measures Natural drop the samples from height of 1m 3 times in each direction of XYZ. Total 18 times.Put the samples in normal condition for 2 hours.sounder shall be measures

Specification for Horn Speaker

Page

5/9

Revision No.

1.0

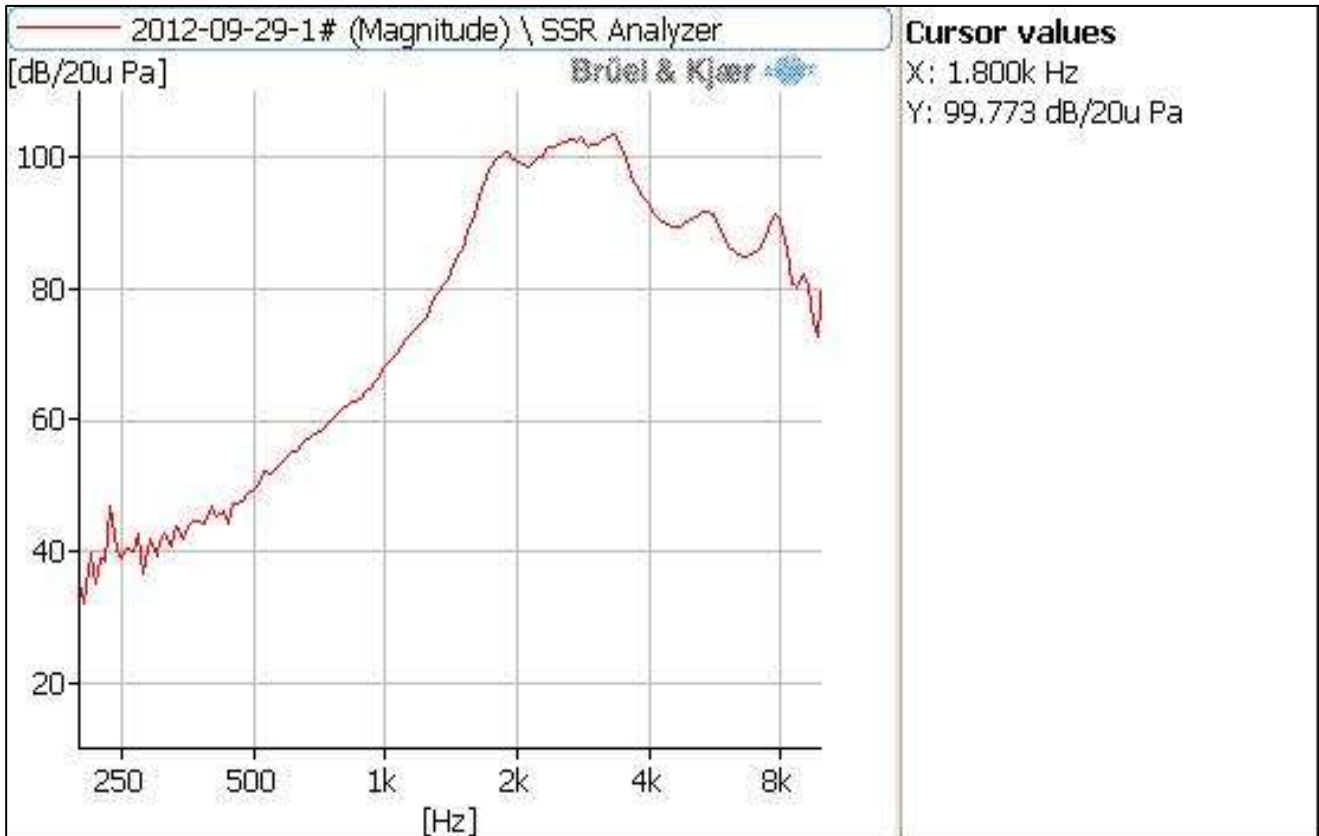
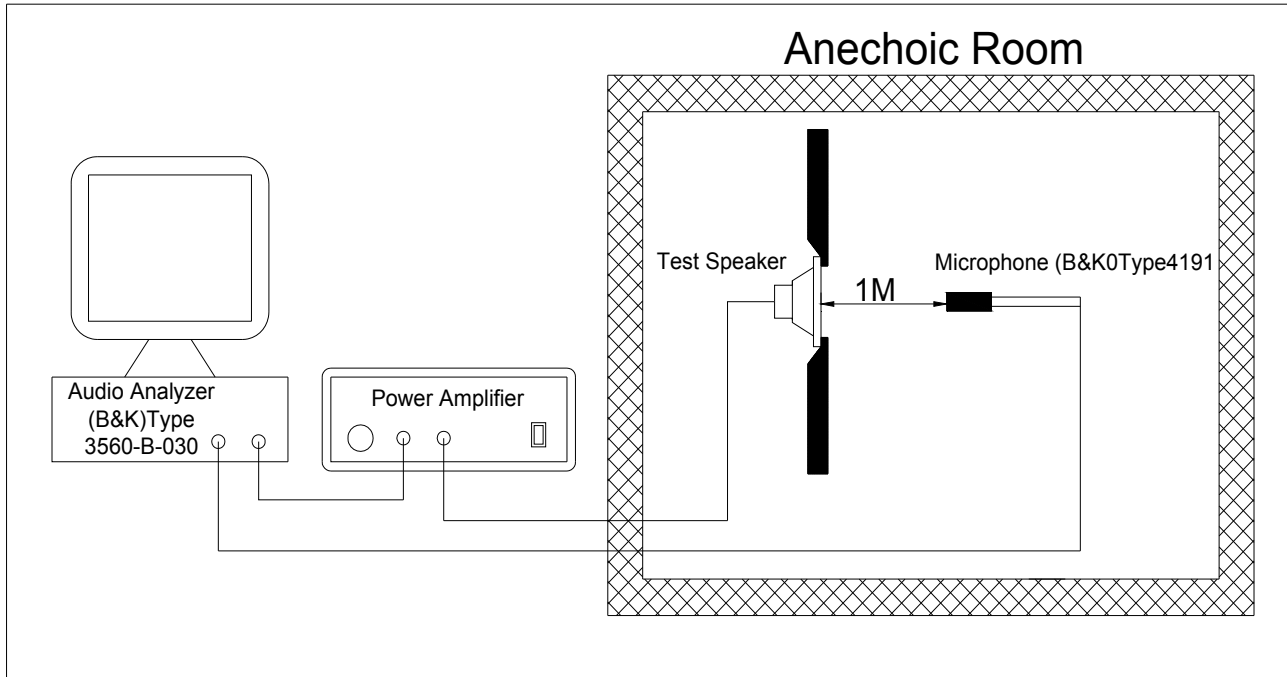
Model No. :

SH-70AF20R8-L2050-7102

Drawing No.

KFC7102

5. Measurement Block Diagram & Response curve



Specification for Horn Speaker

Page

6/9

Revision No.

1.0

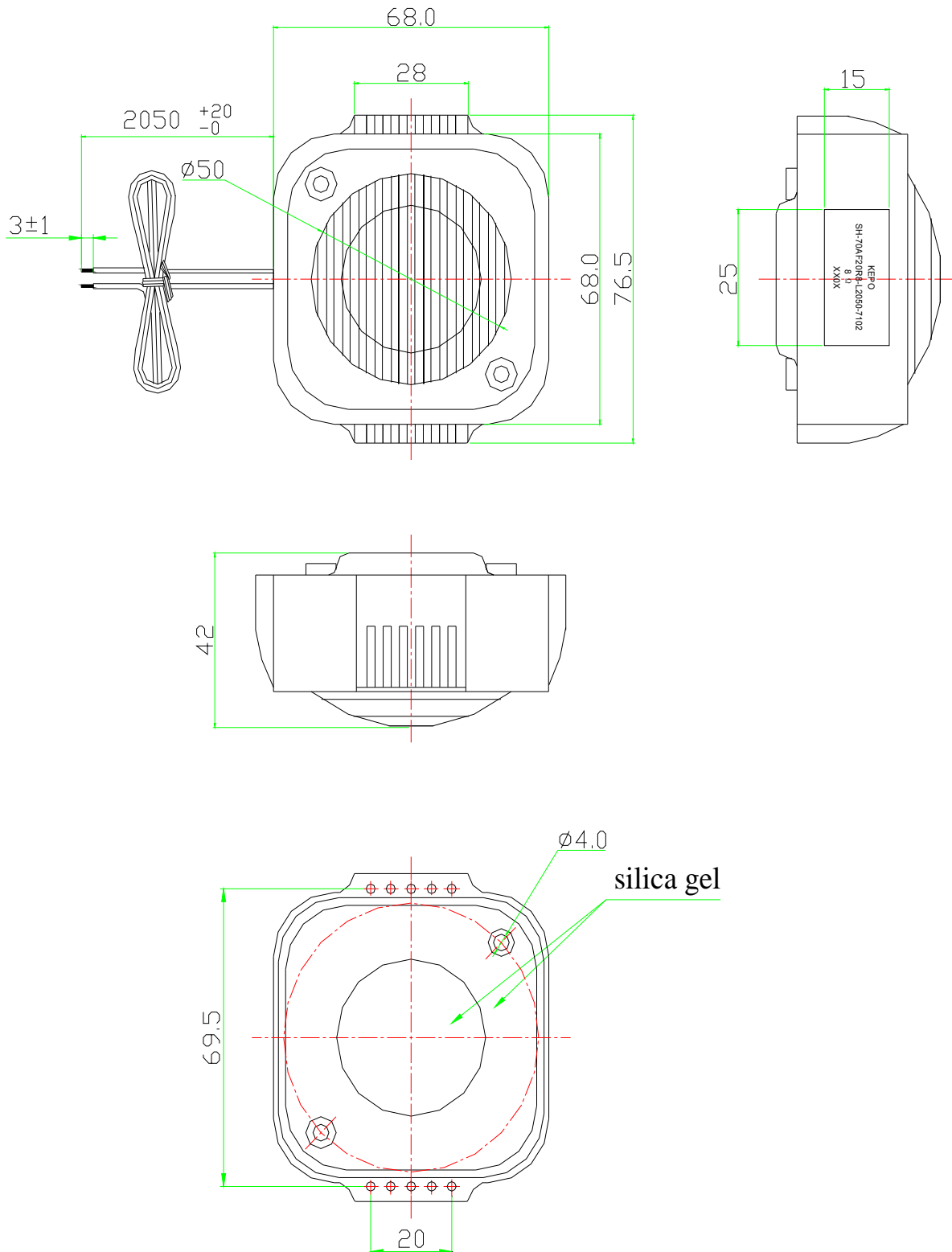
Model No. :

SH-70AF20R8-L2050-7102

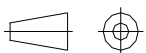
Drawing No.

KFC7102

6. Dimensions



FIRST ANGLE PROJECTION



备注：根据客户要求进行丝印。

使用标准螺丝为M5X10.

UNIT : mm

Tolerance : ± 0.5

Specification for Horn Speaker

Page

7/9

Revision No.

1.0

Model No. :

SH-70AF20R8-L2050-7102

Drawing No.

KFC7102

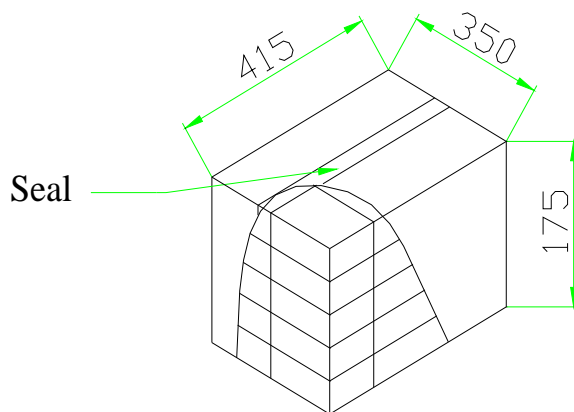
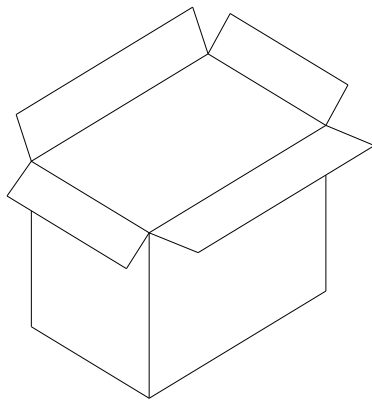
7. Packing

Each minimum package unit of products shall be in a carton box and it shall be clearly marked with Part Number, quantity and outgoing inspection number.

There shall be no mechanical damage on products during transportation and/or in storage.



内盒包装如图示。



QTY: 50Pcs

415x350x175mm

外包装如图示。

Specification for Horn Speaker		Page	8/9
		Revision No.	1.0
Model No.	SH-70AF20R8-L2050-7102	Drawing No.	KFC7102

8. Cautions

Please contact us before using our products for the undermentioned applications requiring especially high reliability in order to prevent defects which might directly cause damage to other party's life, body or property (listed below).

- (1) Aircraft equipment
- (2) Aerospace equipment
- (3) Undersea equipment
- (4) Medical equipment
- (5) Transportation equipment (automobiles, trains, ships)
- (6) Traffic signal equipment
- (7) Disaster prevention/crime prevention equipment
- (8) Data-processing equipment
- (9) Applications of similar complexity or reliability requirements comparable to the applications listed in the above

10. Cautions for use

- 10.1 Speaker must be used under rated power, and the speaker may be broken if it is used out of rated power.
- 10.2 Speaker must be kept away from water or liquid.
- 10.3 Speaker can't be under the high temperature and high humidity
- 10.4 Keep away from caustic gas when using speaker,
- 10.5 Don't drop the Speaker from altitude