



ELECTRICAL SPECIFICATION

Frequency Range	7.6000 to 110.000 MHz
Load Capacitance	10pF to series
Frequency Tolerance (at 25°C)	±30ppM Maximum
Oscillation Mode	Fundamental, Third Overtone
Frequency Stability in Temperature	±30ppM Maximum
Operating Temperature Range	-20°C to +70°C Standard (or Optional)
Storage Temperature Range	-40°C to +85°C
Equivalent Series Resistance (ESR)	See ESR Table
Drive Level	1.0mW Maximum
Shunt Capacitance	7pF Maximum
Aging (at 25°C)	±3ppM per year
Insulation Resistance	500 MOhm Minimum

FREQUENCY RANGE AND OSCILLATION MODE

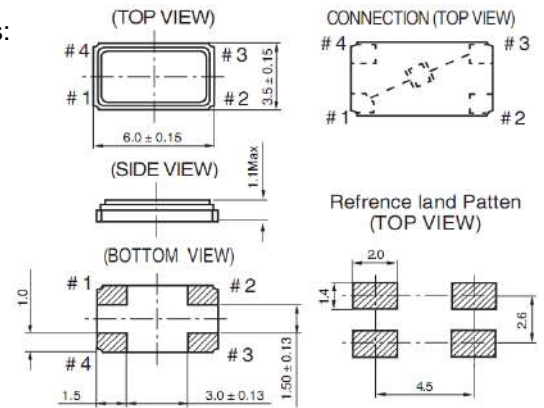
Fundamental (F)	7.6000 to 40.000MHz
Third Overtone (3OT)	40.000 to 110.000MHz

ESR TABLE (Ohms)

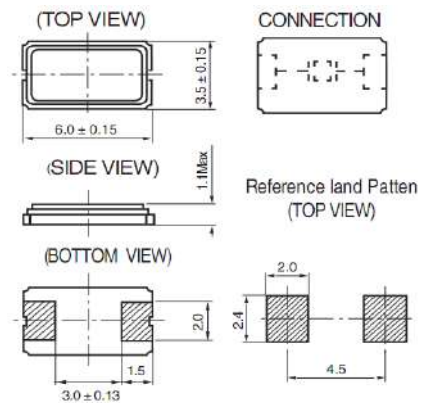
7.6000 to 10.000MHz	70Max
10.000 to 14.000MHz	60Max
14.000 to 20.000MHz	50Max
20.000 to 40.000MHz	40Max
40.000 to 110.000MHz	80Max

MECHANICAL DIMENSIONS (all in mm)

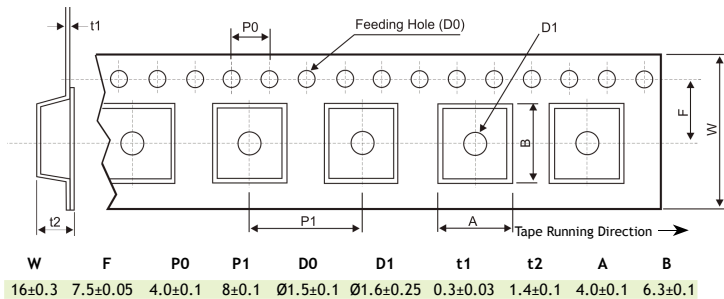
4Pads:



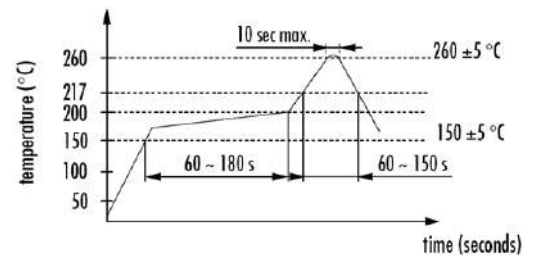
2Pads:



TAPE SPECIFICATIONS (all in mm) - Carrier Tape Dimensions



SOLDERING



PART NUMBERING SYSTEM (Example)

SMD0603-11.0592-F-20-30-30-A-T-4P

