



### ELECTRICAL SPECIFICATION

|                                    |                                       |
|------------------------------------|---------------------------------------|
| Frequency Range                    | 8.0000 to 40.000 MHz                  |
| Load Capacitance                   | 10pF to series                        |
| Frequency Tolerance (at 25°C)      | ±10PPM-50ppM                          |
| Oscillation Mode                   | Fundamental, Third Overtone           |
| Frequency Stability in Temperature | ±10ppM-50ppM                          |
| Operating Temperature Range        | -20°C to +70°C Standard (or Optional) |
| Storage Temperature Range          | -55°C to +125°C                       |
| Equivalent Series Resistance (ESR) | See ESR Table                         |
| Drive Level                        | 10-100uW                              |
| Shunt Capacitance                  | 7pF Maximum                           |
| Aging (at 25°C)                    | ±3ppM per year                        |
| Insulation Resistance              | 500 MOhm Minimum                      |

### FREQUENCY RANGE AND OSCILLATION MODE

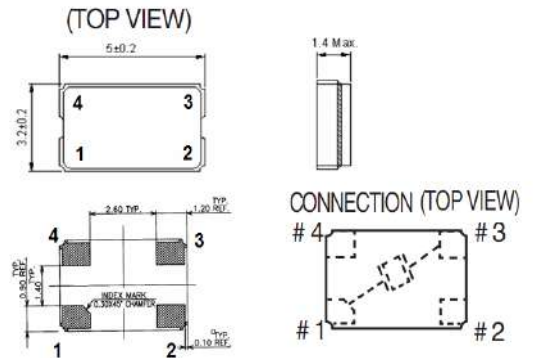
|                      |                     |
|----------------------|---------------------|
| Fundamental (F)      | 8.0000 to 36.000MHz |
| Third Overtone (3OT) | 30.000 to 40.000MHz |

### ESR TABLE (Ohms)

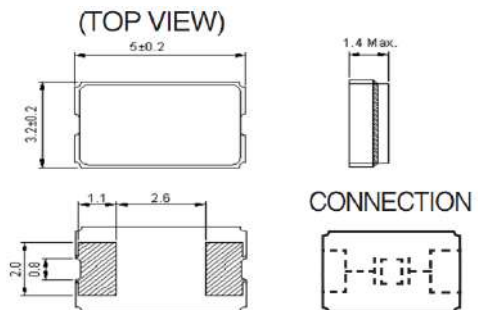
|                     |                |        |
|---------------------|----------------|--------|
| 8.000 to 16.000MHz  | AT Fundamental | 80Max  |
| 16.000 to 36.000MHz | AT Fundamental | 60Max  |
| 30.000 to 40.000MHz | 3RD overtone   | 100Max |

### MECHANICAL DIMENSIONS (all in mm)

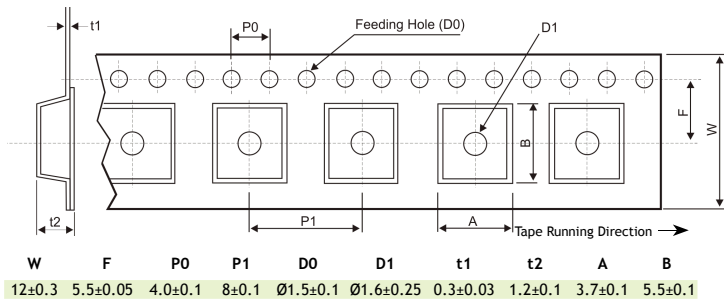
#### 4Pads:GLASS SEAL



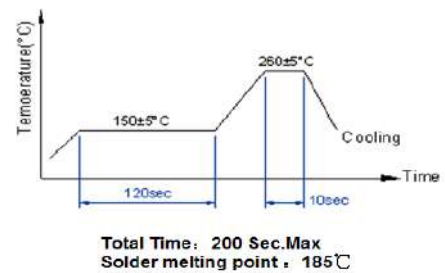
#### 2Pads:GLASS SEAL



### TAPE SPECIFICATIONS (all in mm) - Carrier Tape Dimensions



### SOLDERING



### PART NUMBERING SYSTEM (Example)

SMG0503- 12.000 -F-20-30-30-A

