

# SPECIFICATION

Customer : QUARTZ-1

Applied To :

Product Name : Magnetic Transducer

Model Name : SMT-G9050R

Drawing No. : OEM2812R

Compliance with ROHS

Signature of Approval

--

Signature of KEPO

Approved by	Checked by	Issued by	Date



宁波凯普电子有限公司

宁波东钱湖镇东钱湖工业区宝源路 25 号

TEL:+86-574-88370330 FAX:+86-574-88370329

No.25 Baoyuan road Dongqian Lake, Industry Area, Dongqian town,  
Ningbo City, China(Post Code:315121)

[Sales@chinaacoustic.com](mailto:Sales@chinaacoustic.com) [www.chinaacoustic.com](http://www.chinaacoustic.com)

Specification for Magnetic Transducer	Page	2/10
	Revision No.	1.1
	Drawing No.	OEM2812R
Model No. : SMT-G9050R		

## CONTENTS

1. Scope  
范围
2. General  
概要
3. Electrical and Acoustic Characteristics.  
电声参数
4. Reliability Test  
可靠性试验
5. Measurement Block Diagram & Response curve  
测试图和曲线图
6. Structure  
结构
7. Dimensions  
尺寸
8. Packing  
包装
9. Revision  
履历表

Specification for Magnetic Transducer		Page	3/10
		Revision No.	1.1
Model No. :	SMT-G9050R	Drawing No.	OEM2812R

## 1. Scope

This product specification is applied to the magnetic transducer in alarm systems. Please contact us when using this product for any other applications than described in the above.

本规格书适用于电磁式声响器，通常它用在系统中做报警或提示的声响器用，如果将该产品用于其它领域，请与我们联系。

## 2. General

2.1 Out-Diameter : Ø9 mm

外径: : Ø9 mm

2.2 Height : 4.5mm

高度: : 4.5 mm

2.3 Weight : 1 g

重量: : 1克

2.4 Operating Temperature range:

-20~+60°C without loss of function

工作温度: -20~+60°C

Store Temperature range:

-40~+85°C without loss of function

储藏温度: -40~+85°C

2.5 According to the No.7 of RoHS Exemptions, lead-based solder alloys containing 85% by weight or more lead (Sn10Pb90)

根据"欧盟RoHS指令豁免条款"第7条规定,使用了铅含量超过85%的锡铅合金焊料 (Sn10Pb90)

## 3. Electrical and Acoustic Characteristics.

Test condition : 15 ~ 35 °C, 25% ~ 85% RH, 860~1060 mbar

测试条件: 15~35 °C, 25%~85%RH, 860~1060mbar

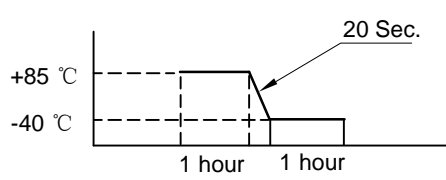
	Items 项目	Specification 规格
1	Rated Voltage 额定电压	5V
2	Operating Voltage 工作电压	4~8V
3	Max. Rated Current 额定电流	120mA /5V
4	Resonant Frequency 谐振频率	2650Hz
5	Min. Sound Pressure Level 额定声压	88dB/5V/10cm
6	Coil Resistance 直流阻抗	15±3 Ω
7	Coil Impedance 交流阻抗	40 Ω
8	Case Material/Color 壳体材质/颜色	PPS/Black

Specification for Magnetic Transducer		Page	4/10
		Revision No.	1.1
Model No. :	SMT-G9050R	Drawing No.	OEM2812R

## 4. Reliability Test

After test(1~7item), the transducer S.P.L. difference shall be within  $\pm 10\text{dB}$ , and the appearance not exist any change to be harmful to normal operation(e.g.cracks,rusts,damages and especially distortion).

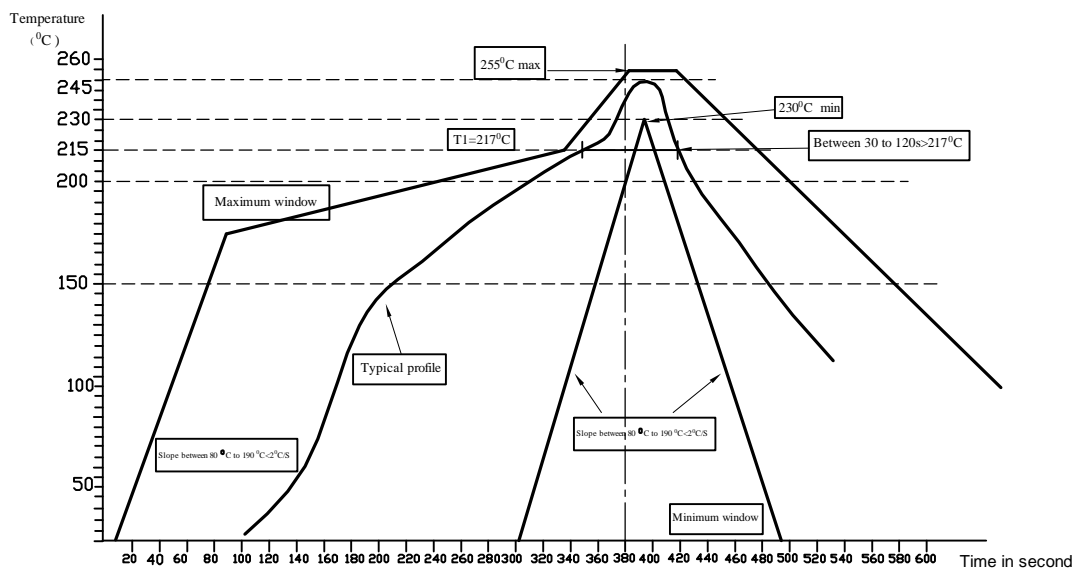
在1-7项试验后，声响器的声压变化值在  $\pm 10\text{dB}$ 之内，外观无变化（例如：开裂、生锈、损伤、变形等现象）。

	Item	Specification
1	High Temperature Test 高温试验	<p>After being worked in a chamber with <math>+85\pm 2\text{ }^\circ\text{C}</math> for 2h and then being placed in natural condition for 2h, sounder shall be measured.</p> <p>将产品置于 <math>+85\pm 2\text{ }^\circ\text{C}</math> 试验箱中，先工作 2小时，然后在正常大气压条件下恢复2小时后，进行测量</p>
2	Low Temperature Test 低温试验	<p>First being worked in a chamber with <math>-40\pm 2\text{ }^\circ\text{C}</math> for 2h and then being placed in a chamber with <math>-40\pm 2\text{ }^\circ\text{C}</math> for 16h, finally being placed in natural condition for 2h, sounder shall be measured.</p> <p>将产品置于 <math>-40\pm 2\text{ }^\circ\text{C}</math> 试验箱中，先工作 2小时，再放置16小时，然后在正常大气压条件下恢复2小时后，进行测量</p>
3	Humidity Test 潮湿试验	<p>After being placed in a chamber with 90 to 95%R.H. at <math>+40\pm 2\text{ }^\circ\text{C}</math> for 2 h and then being placed in natural condition for 2h , sounder shall be measured.</p> <p>将产品置于湿度为 90~95%R.H，温度为<math>40\pm 2\text{ }^\circ\text{C}</math>试验箱中 2小时，然后在正常大气压条件下恢复2小时后，进行测量</p>
4	Thermal Shock Test 热冲击试验	<p>After being worked in a chamber at <math>+85\text{ }^\circ\text{C}</math> for 1 hour, then sounder shall be placed in a chamber at <math>-40\text{ }^\circ\text{C}</math> for 1 hour(1 cycle is the below diagram).</p> <p>After 6 above cycles, sounder shall be measured after being placed in natural condition for 1 hour.</p> <p>将产品置于<math>+85\pm 2\text{ }^\circ\text{C}</math>试验箱中，先工作1小时，然后将产品置于<math>-40\pm 2\text{ }^\circ\text{C}</math>试验箱中，再工作1小时，经过6个循环后，在正常大气压条件下恢复1小时，进行测量</p> 

Specification for Magnetic Transducer		Page	5/10
		Revision No.	1.1
Model No. :	SMT-G9050R	Drawing No.	OEM2812R

## 4. Reliability Test

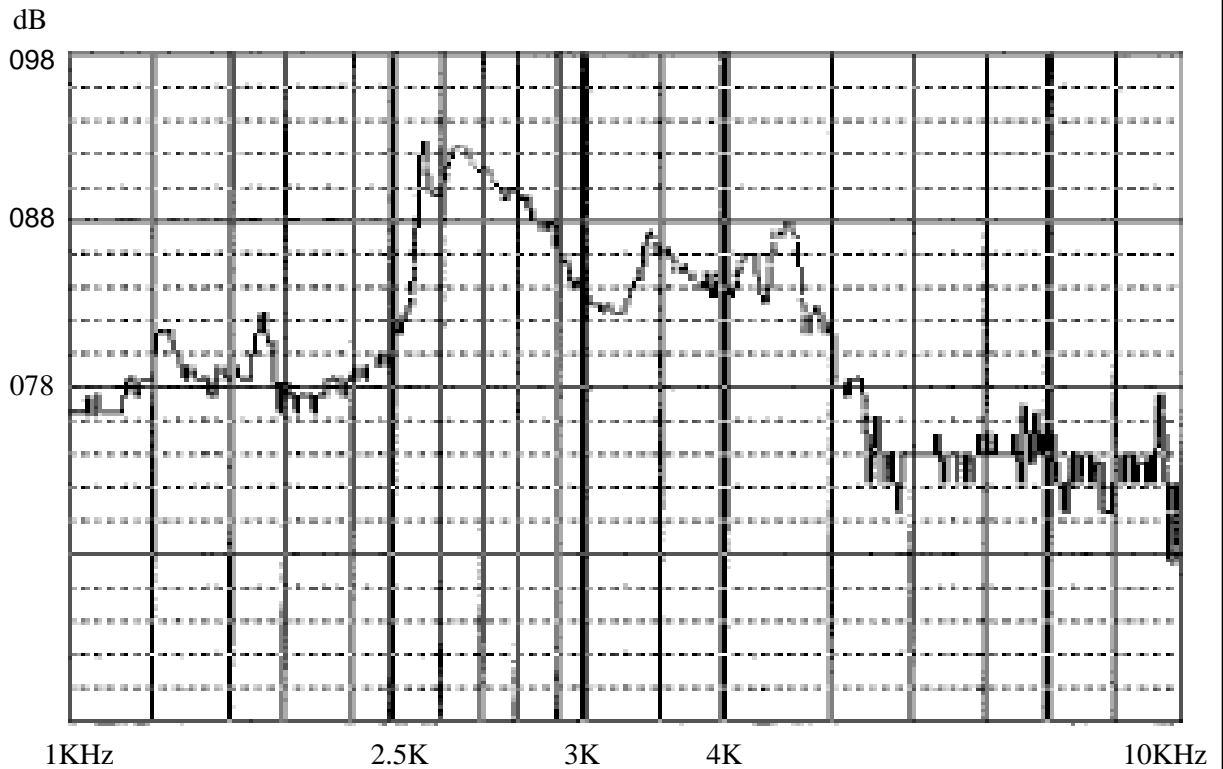
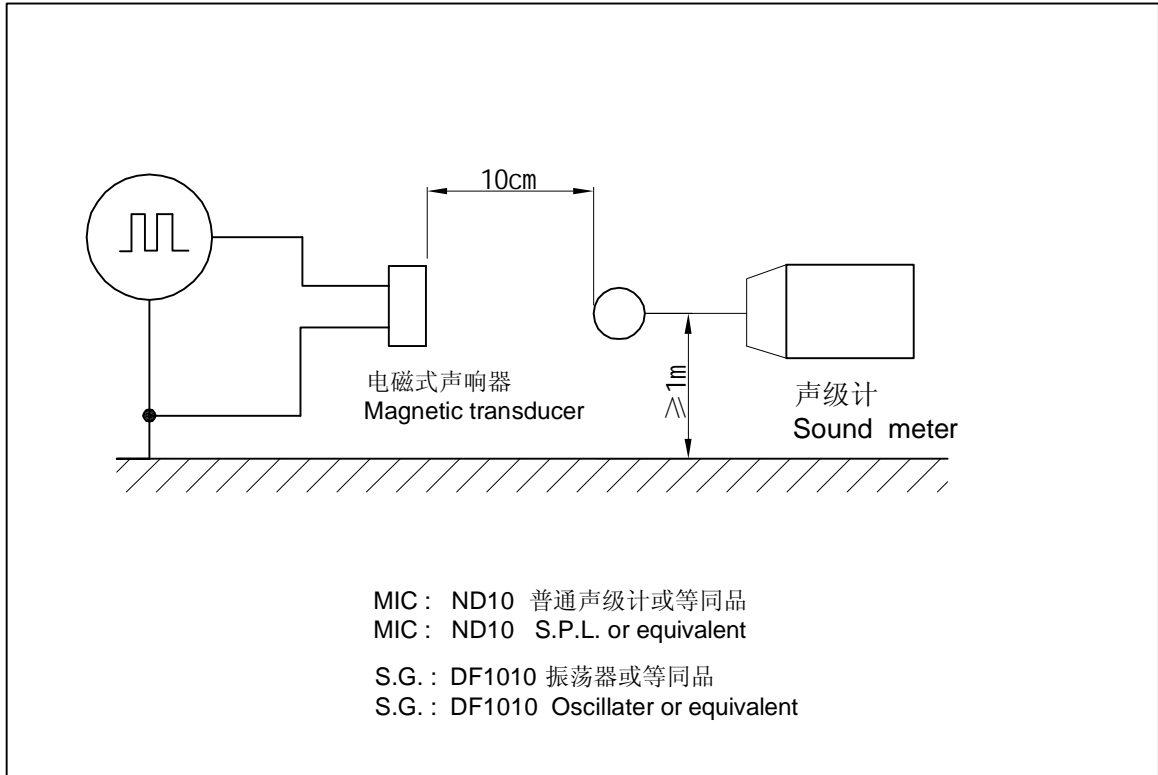
	Item	Specification
5	Vibration Resistance 振动试验	<p>Sounder shall be measured after being applied vibration of amplitude of 1.5mm with 10 to 30Hz band of vibration frequency to each of 3 perpendicular directions for 2 hour.</p> <p>振幅为1.5mm, 频率为10~30Hz, 三个不同轴方向各振动2小时, 试验后进行测量.</p>
6	Drop Test 跌落试验	<p>Sounder packed in the carton are dropped in six direction from the height of 80cm to the concrete floor.</p> <p>跌落高度80cm, 6个不同方向整箱跌落到水泥地, 试验后进行测量.</p>
7	Solderability 可焊性试验	<p>Lead terminals are immersed in rosin for 5 seconds and then immersed in solder bath of <math>+260 \pm 5^\circ \text{C}</math> for <math>3 \pm 0.5</math> seconds.</p> <p>插针浸入松香5秒, 然后再浸入<math>+260 \pm 5^\circ \text{C}</math>的锡炉中<math>3 \pm 0.5</math>秒, 插针表面应覆盖一层光滑明亮的焊料.</p>
8	Terminal Strength Pulling 插针强度试验	<p>The force 10 seconds of 9.8N is applied to each terminal in axial direction.</p> <p>插针应承受9.8N拉力, 拉力时间10秒, 插针无松动和脱落等现象.</p>



工艺曲线图(curve)

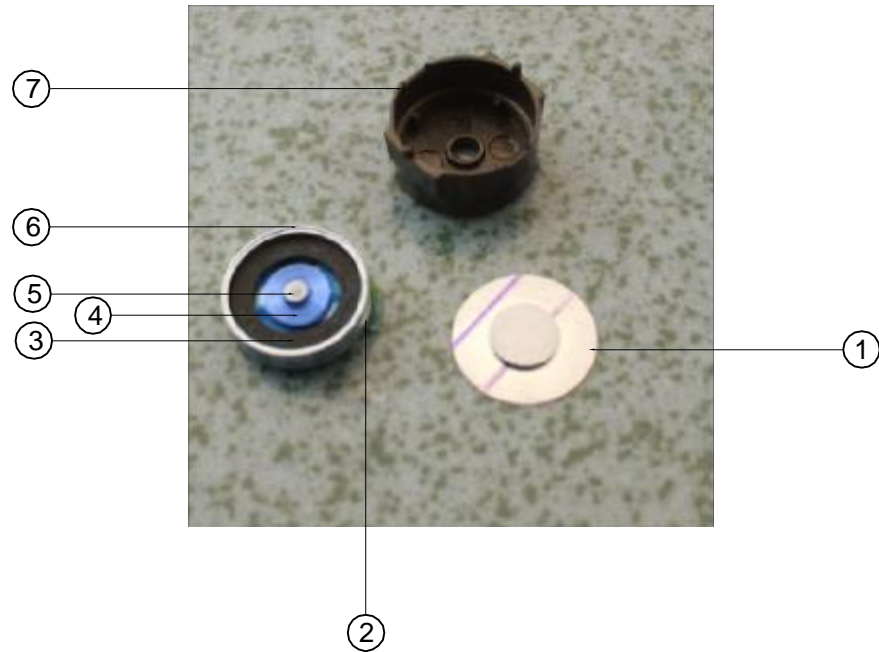
Specification for Magnetic Transducer		Page	6/10
		Revision No.	1.1
Model No. :	SMT-G9050R	Drawing No.	OEM2812R

## 5. Measurement Block Diagram & Response curve



Specification for Magnetic Transducer		Page	7/10
		Revision No.	1.1
Model No. : SMT-G9050R		Drawing No.	OEM2812R

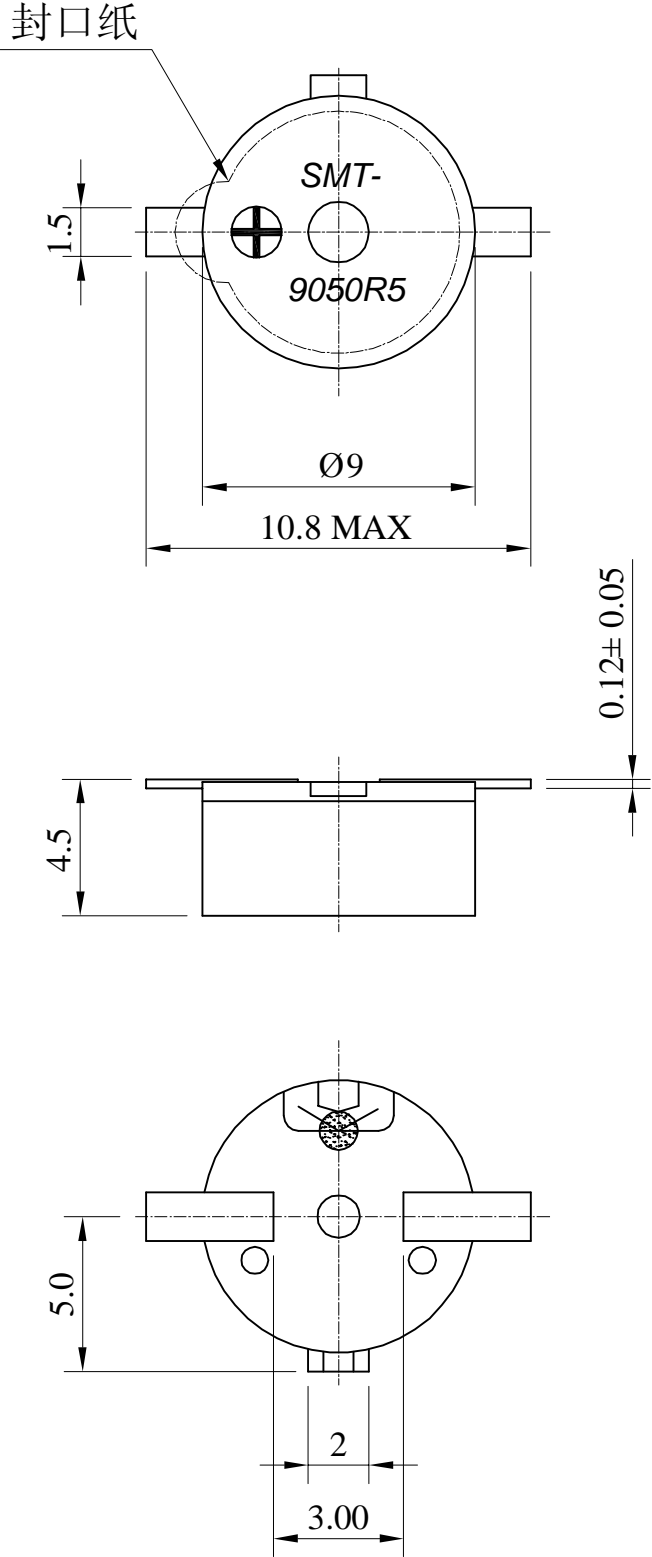
## 6. Structure



7	Case 壳体	1	PPS	
6	Ring 铜套	1	Cu	
5	T Core T铁	1	Fe	
4	Coil 线圈	1	QANR	
3	Magnetic ring 磁环	1	/	
2	PCB with pin 带导针印制板	1	/	
1	Diaphragm 膜片	1	/	
No.	Part Name 型号	数量 Q'TY	Material 材质	SGS 认证号

Specification for Magnetic Transducer	Page	8/10
	Revision No.	1.1
Model No. : SMT-G9050R	Drawing No.	OEM2812R

### 7. Dimensions



FIRST ANGLE PROJECTION

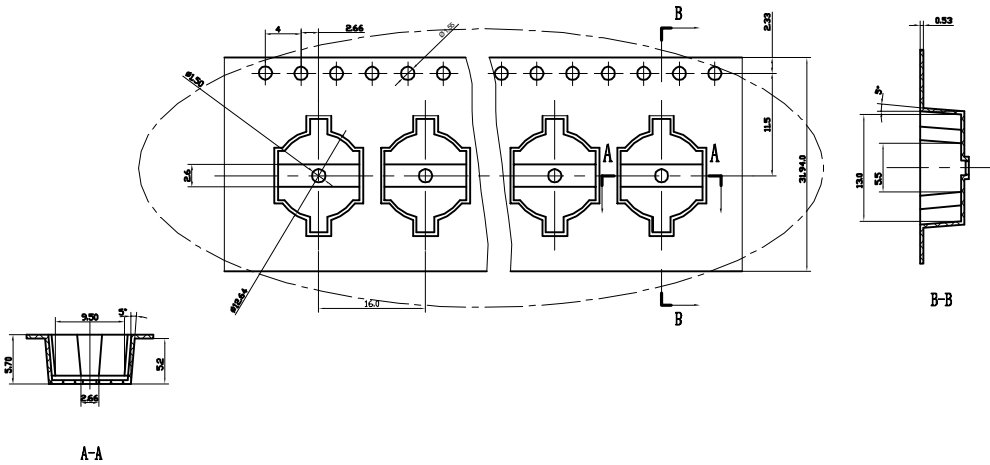
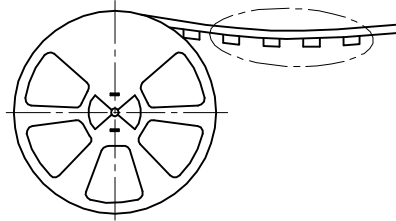
UNIT : mm  
Tolerance : ±0.5



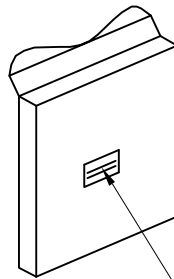
Specification for Magnetic Transducer	Page	9/10
	Revision No.	1.1
	Drawing No.	OEM2812R
Model No. :	SMT-G9050R	

## 8. Packing

TRAY  
:SMT-G9050R 1,000PCS



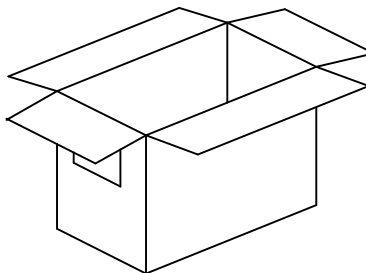
INNER BOX  
:TRAY 1PCS  
TOTAL 1,000PCS



INNER BOX  
40W350D350H

LABEL POSITION

CARTON BOX  
:INNER BOX 5PCS  
TOTAL 5,000PCS



CARTON BOX  
200W367D367H

