


	DATE	08-12-11	<b>SPECIFICATION</b>	
	PAGE	1/7		
	<b>MODEL NAME: SMT7525</b>			

**SPECIFICATION FOR APPROVAL  
SMD ELECTRO-MAGNETIC TRANSDUCER**

Model Name	SMT7525
Note	

<b>CUSTOMER</b>	
	<b>DRAWN :</b>
	<b>CHECKED:</b>
	<b>APPROVED:</b>

	DATE	08-12-11	<b>SPECIFICATION</b>
	PAGE	2/7	
MODEL NAME: SMT7525			

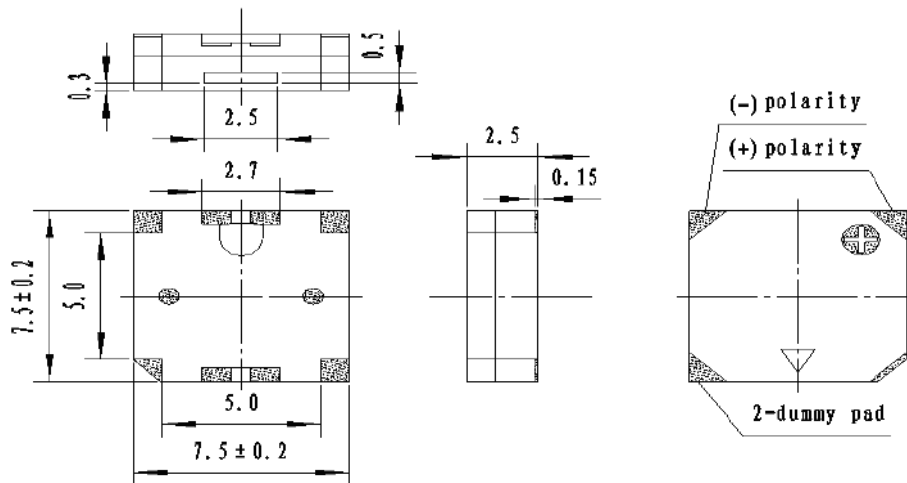
## SMD ELECTRO-MAGNETIC TRANSDUCER

1	Model No.	SMT7525
2	Rated Voltage (V)	3.6
3	Operating Voltage (V)	2.5~4.5
4	Coil Resistance (Ω)	15±3
5	Resonant Frequency (Hz)	2700
6	*Sound Output at 10cm (dB)	≥85
7	*Current Consumption (mA)	≤100
8	Operating Temperature (°C)	-20~+70
9	Storage Temperature (°C)	-30~+80
10	Case material and colour	LCP / Black

\*Applying rated voltage (Resonant frequency, 1/2 duty, Square wave)

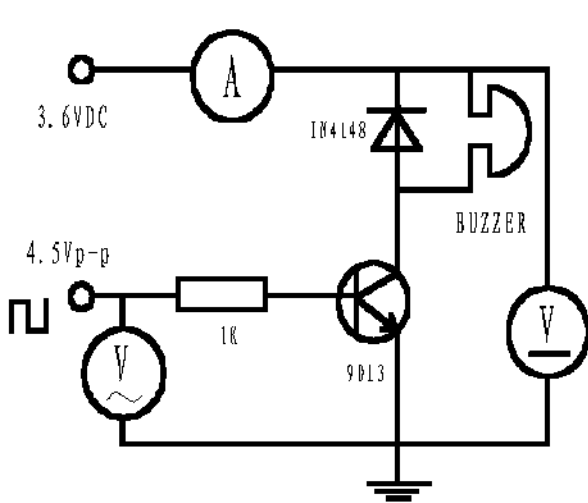
### DIENSIONS (UNIT: mm)

Tolerance: ±0.5mm Except Specified

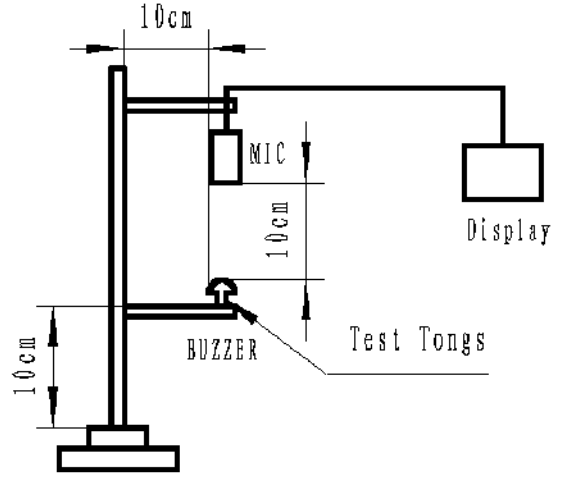


	DATE	08-12-11	<b>SPECIFICATION</b>
--	------	----------	----------------------

**TEST METHOD:**

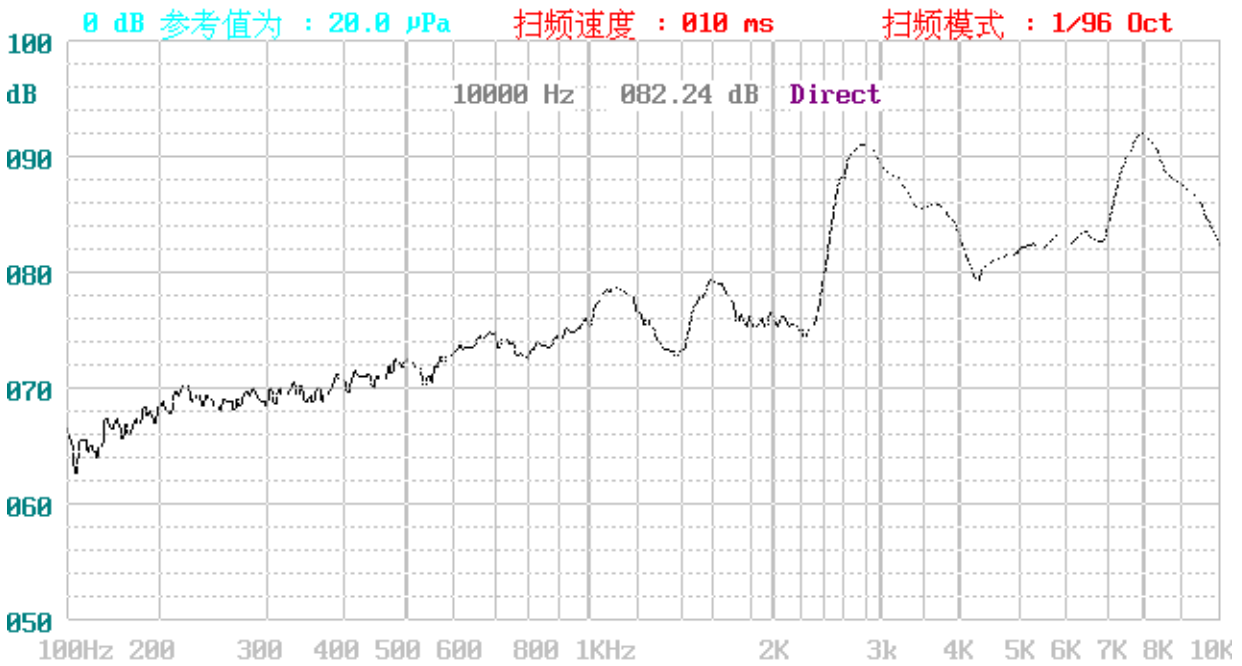


Test Circuit



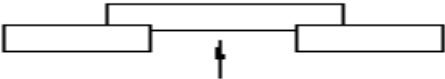
Test Equipis

**FREQUENCY RESPONSE:**



	DATE	08-12-11	<b>SPECIFICATION</b>	
	PAGE	4/7		
<i>MODEL NAME: SMT7525</i>				

**RELIABLY TEST:**

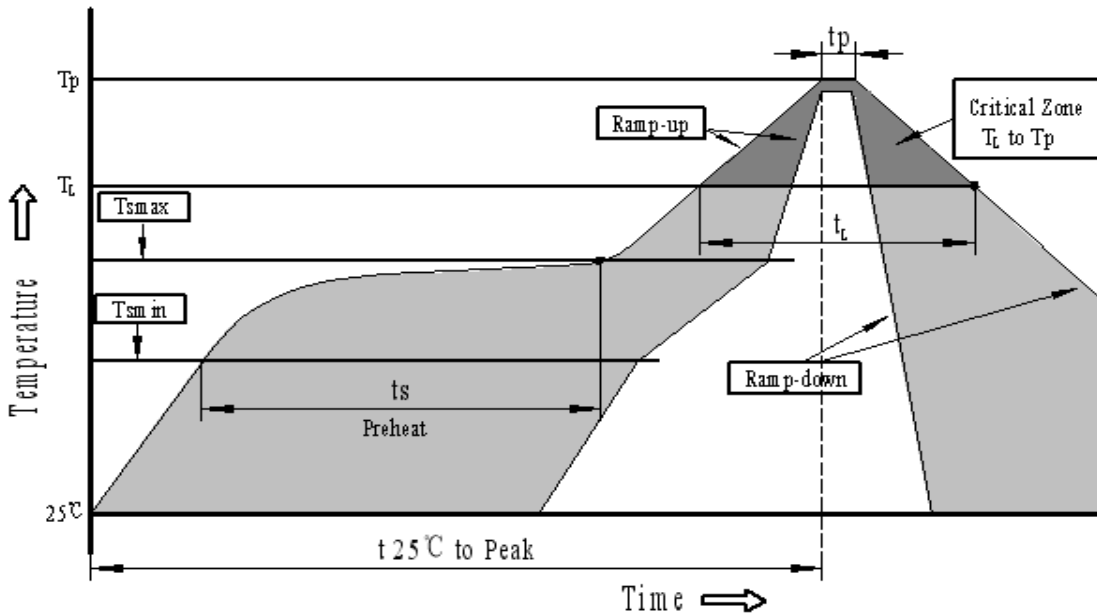
NO.	ITEM	TESTING CONDITION	VARIANCE AFTER TEST
1	High temp. storage life	The part shall be capable of withstanding a storage temperature is +80°C for 120 hours	After the test the part shall meet specifications without any degradation in appearance and performance except SPL shall be initial value ± 10dB or more.
2	Low temp. storage life	The part shall be capable of withstanding a storage temperature is -30°C for 120 hours	
3	Temp. Cycle	Total 5 cycles, 1 cycle consisting of -30±2°C, 30 minutes 20±5°C 15 minutes 80±2°C, 30 minutes 20±5°C 15 minutes	
4	Humidity Test	30±2°C, 90~95% RH, 120 hours	
5	Vibration Test	The part shall be subjected to a vibration cycle is 10Hz in a period of 1 minute. Total peak amplitude shall be 1.52mm(9.3g). The vibration test shall consist of 2 hours per plane in each three mutually perpendicular planes for a total time of 6 hours.	
6	Shock	Sounder shall be measured after being applied shock (980m/s <sup>2</sup> ) for each three mutually perpendicular directions to each of 3 times by half sine wave.	
7	Drop Test	Dropped naturally from 700mm height onto the surface of 10mm thick wooden board. 2 directions-upper and side of the part are to be applied.	
8	Lead pull	The part shall be pushed with a force of 9.8N for 10±1 seconds behind the part. 	After the test part shall meet specifications without any degradation in appearance and performance.
9	Recommended temp. Profile for Reflow Oven	Shown in Fig.1	

**Warranty:**For a period of one year from date of manufacture under normal operations

	DATE	08-12-11	<b>SPECIFICATION</b>	
	PAGE	5/7		

**MODEL NAME: SMT7525**

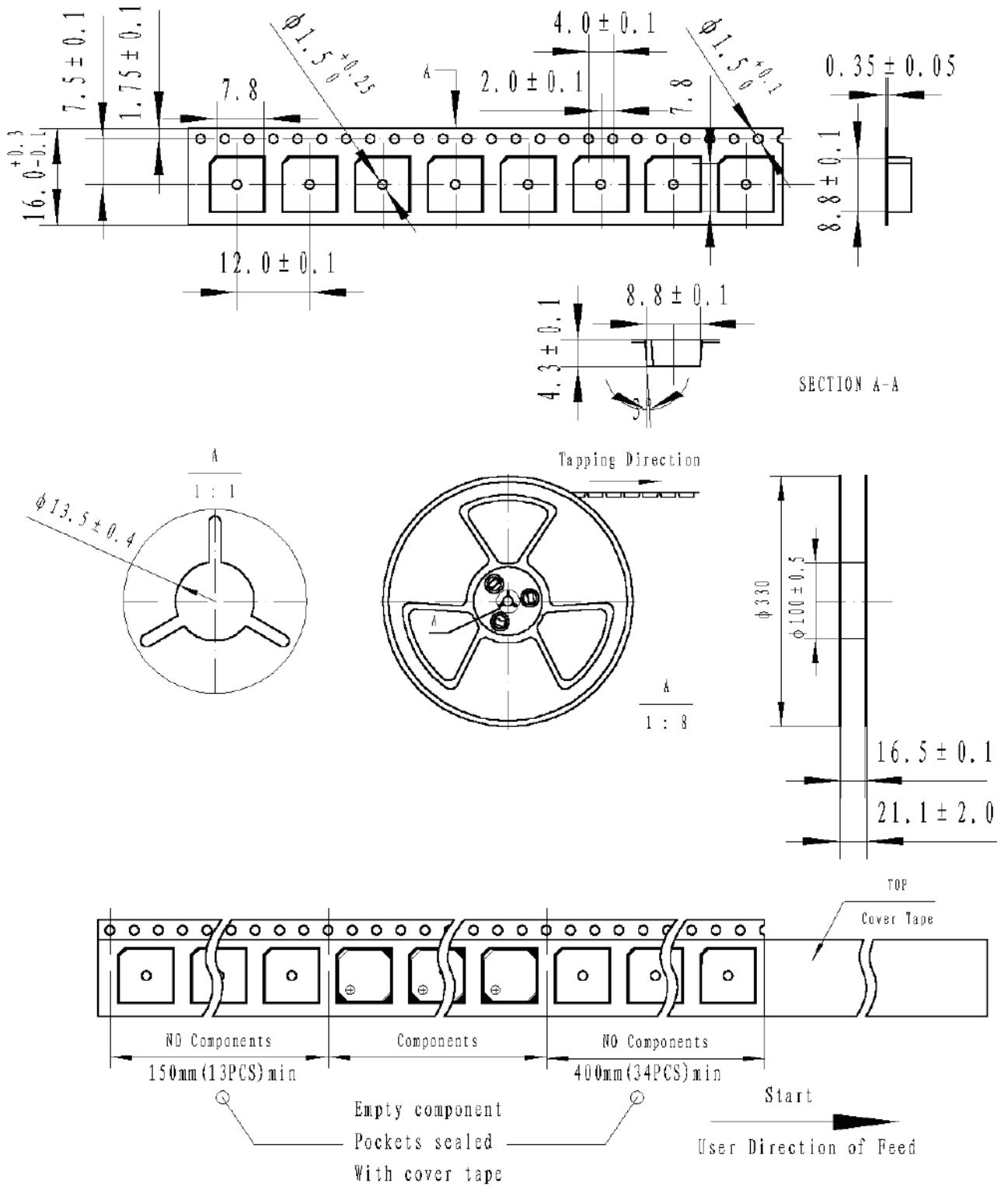
**Recommended Temp. Profile for Reflow Oven (Fig.1)**



Profile Feature	Pb-Free Assembly
Average ramp-up rate( $T_L$ to $T_p$ )	3°C/second max.
Preheat	
-Temperature Min.( $T_{smin}$ )	150°C
-Temperature Min.( $T_{smax}$ )	200°C
-Temperature Min.( $t_s$ )	60~180 seconds
$T_{smax}$ to $T_L$	
-Ramp-up Rate	3°C/second max.
Time maintained above:	
- Temperature( $T_L$ )	217°C
-Time( $T_L$ )	60~150 seconds
Peak temperature( $T_p$ )	250°C+0/-5°C
Time within 5°C of actual Peak temperature ( $t_p$ )	6 seconds max.
Ramp-down Rate	6°C/second max.
Time 25°C to Peak Temperature	8 minutes max.

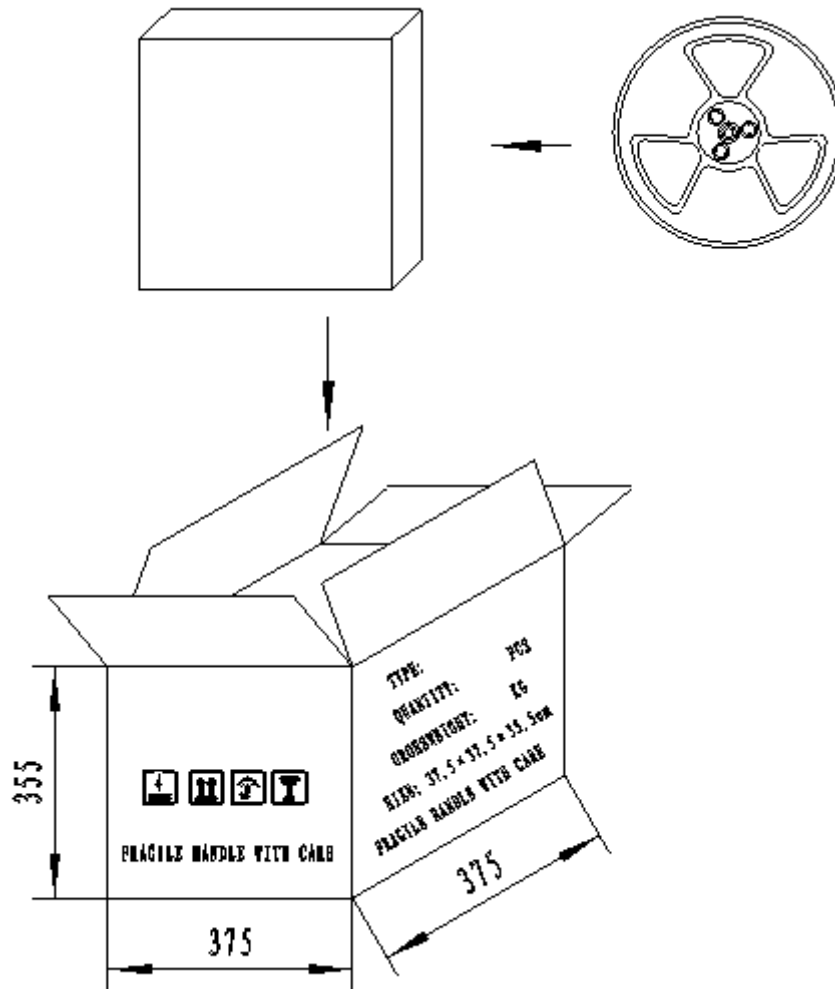
	DATE	08-12-11	SPECIFICATION
	PAGE	6/7	
<i>MODEL NAME: SMT7525</i>			

**PACKING:**



	DATE	08-12-11	<b>SPECIFICATION</b>	
	PAGE	7/7		
<i>MODEL NAME: SMT7525</i>				

**PACKING:**



**NOTES:**

1. 1000 PCS per box
2. Total 10 boxes per carton
3. Total 10000 PCS carton