



Data Sheet
1615MHz SAW 3030
SPT1615M3030A

V1.0

Description:

The Spectron SPT1615M3030A is a SAW filter that work frequency ranges from 1605MHz to 1625MHz. It is designed for applications in GNSS, Beidou System, IOT equipments and Information & Communications filed.

The SPT1615M3030A provides +20 dBm power handling, low insertion loss and high out of band rejection.

The design and manufacturing of the SPT1615M3030A exploit Spectron's exclusive TSAW technology to deliver competitive performance against state of the art at a low cost.

The SPT1615M3030A is compatible with high volume, lead-free SMT soldering processes.

Features:

- Single-Ended Input and Output
- Terminating Impedance: 50 Ω
- RoHS Compliant

Specifications:

- Operation Temperature: -40°C to +85°C
- Usable passband 20.0 MHz
- Compact miniature size
 - 3.0 mm × 3.0 mm footprint
 - 1.25 mm max-height

Applications:

- GNSS
- IOT equipments
- Information & Communications Devices
- Short-message communicating

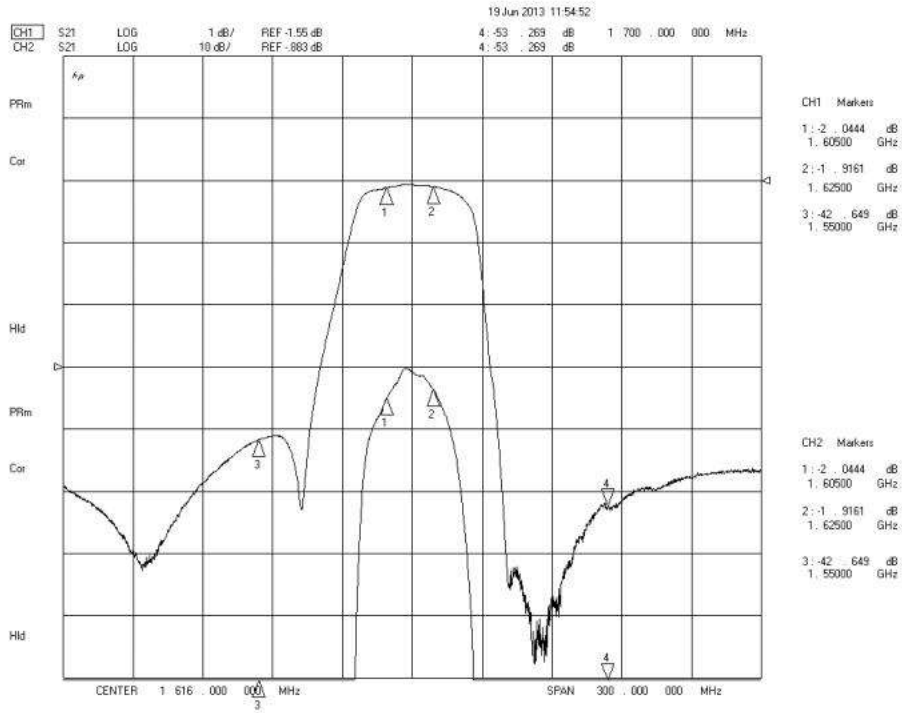
Electrical Specifications**Table 1** Electrical Specifications.

Test Temperature: 25°C±2°C

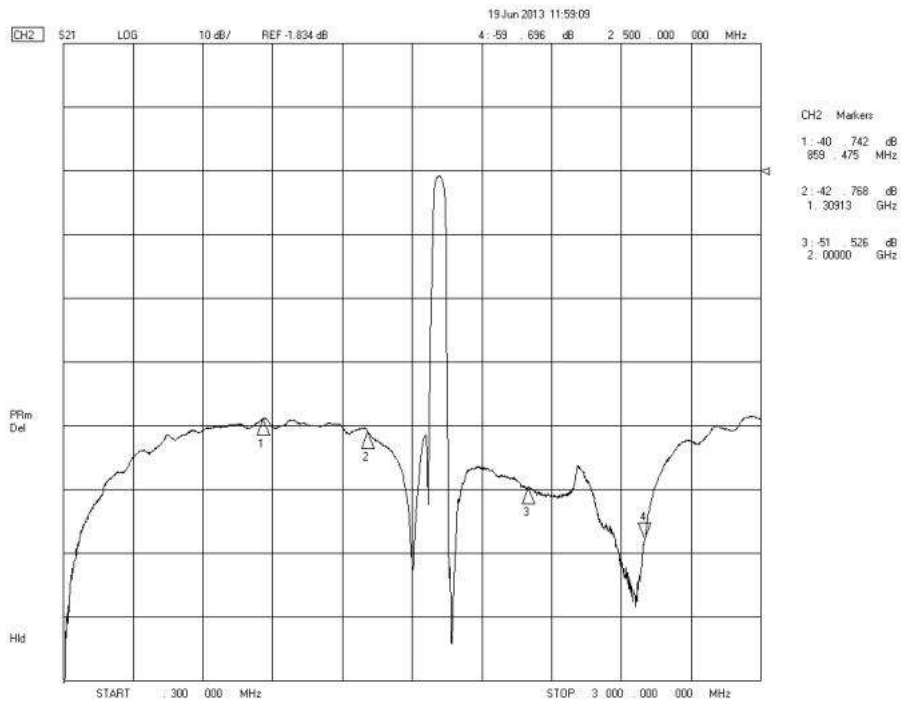
Item		Minimum	Typical	Maximum	Unit
Center Frequency	fc		1615.00		MHz
Insertion Loss(min)	IL		1.6	2.0	dB
Insertion Loss 1605.00 - 1625.00MHz	IL		2.0	2.6	dB
Amplitude Ripple (p-p) 1605.00 - 1625.00MHz	$\Delta\alpha$		0.5	1.0	dB
Group Delay Ripple 1605.00 - 1625.00MHz	GDR		10.0	30.0	ns
Absolute Attenuation	α				
DC - 1550.00 MHz		37.0	40.0		dB
1675.00 - 1700.00 MHz		45.0	50.0		dB
1700.00 - 2500.00 MHz		40.0	45.0		dB
2500.00 - 3000.00 MHz		35.0	38.0		dB
VSWR 1605.00 - 1625.00MHz			1.5:1	2.0:1	/

Figure 1 Electrical Characteristics: Frequency response.

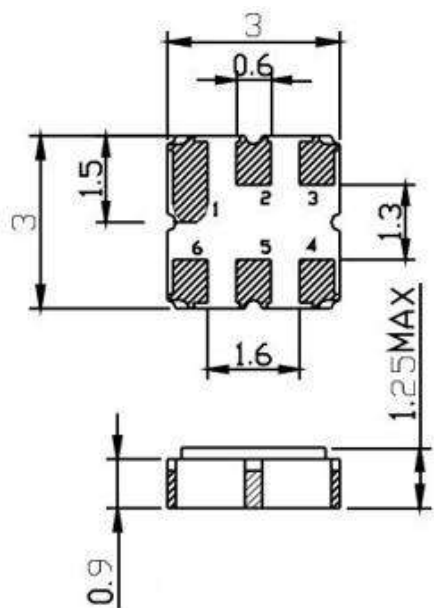
Frequency Response



Frequency Response (wideband)

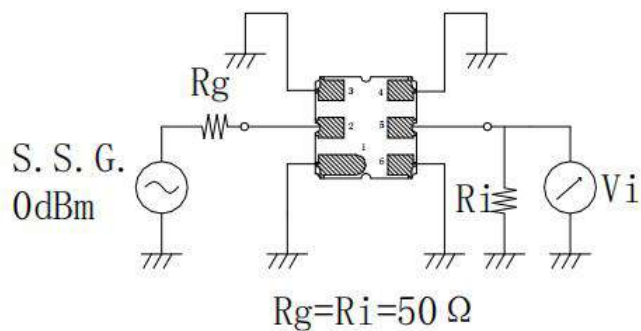


Package & Dimensions



Pin No.	Description
2	Input
5	Output
1,3,4,6	Ground

Test circuit



Maximum Ratings

Item		Value	Unit
Operation Temperature	T	-40 ~ +85	°C
Storage Temperature	T_{stg}	-40 ~ 125	°C
RF Power Dissipation	P	20	dBm

Spectron Technologies, Spectron Microsystems, and the spectrum logo are among the trademarks of Spectron and/or its affiliates in the People’s Republic of China, certain other countries, and/or the EU.

Copyright © 2022 Spectron. All Rights Reserved.

The term “Spectron” refers to Specton (Shenzhen) Technologies Co. Ltd and its subsidiaries.

Information furnished by Spectron is believed to be accurate and reliable. Spectron reserves the right to make changes without further notice to any products or data herein to improve reliability, function, or design. However, Spectron does not assume any liability arising from the application or use of this information, nor the application or use of any product or circuit described herein. Neither does Spectron convey any license under its patent rights nor the rights of others.

