

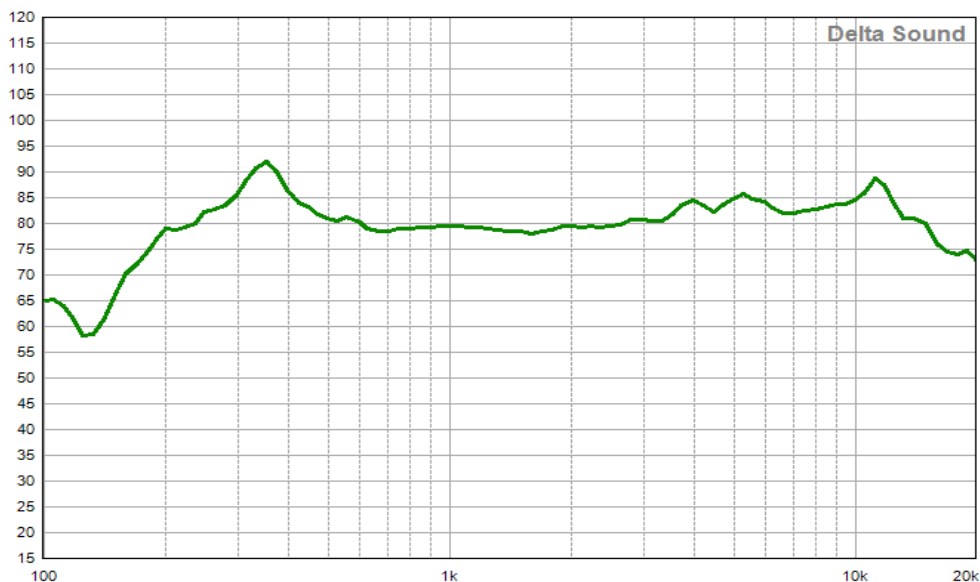
Specification for Speaker

Model No.	ST-56140R8F350P0.5L	Drawing No.	VS20220722011
Customer			

SPEC

NO.	Items	Specification	Test Condition
1	Impedance	8Ω ±15%	at 1Vrms,0.6kHz
2	Resonant Fr. (fo)	350Hz±20%	
3	Frequency Range	F0-20KHz	
4	Rated Power	0.5W	
5	Max Power	0.7W	
6	S.P.L.	82dB±3dB	(0.1W/0.1M at0.8,1.0,1.2,1.5kHz Ave)
7	Distortion	<10% Max.	at 2kHz/2Vrms
8	Sweep Test	must be normal	at sine wave 2 V
9	Load Test	after test meet item 8	rated white noise power, 96 Hrs.
10	Heat Test	after test meet item 8	+50±2°C 20~50% 96Hrs.
11	Cold Test	after test meet item 8	-20±3 °C 96Hrs.
12	Humidity Test	after test meet item 8	+30±2°C,90~95% 96Hrs.
13	Weight	40 g	
14	Polarity Test	with positive D.C. voltage to (+) terminal, the cone shall move forward.	
15	Note	IP 64	

Frequency Response Curve



Specification for Speaker

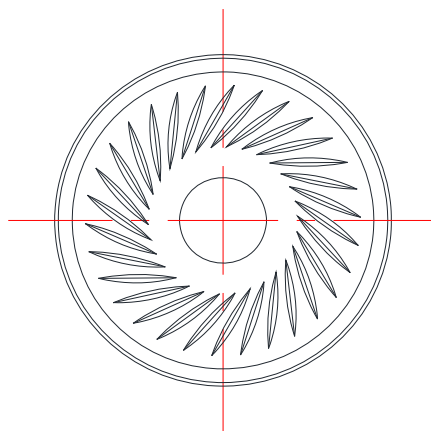
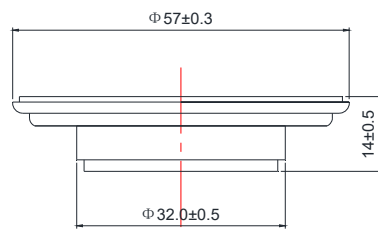
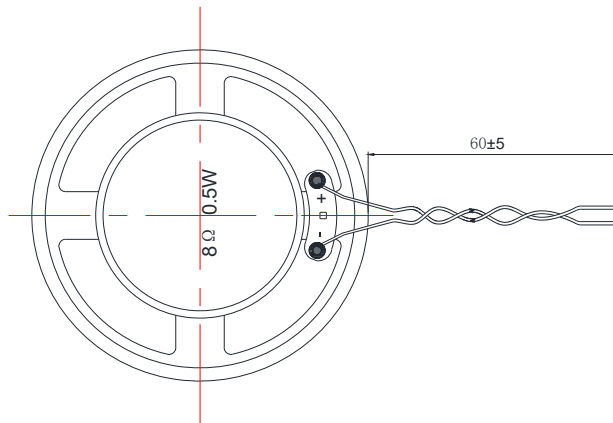
Model No. ST-56140R8F350P0.5L

Drawing No. VS20220722011

Dimensions:



Wire length:60mm
AWG 30# Red/Black



Unit : mm

Tolerance : ± 0.2