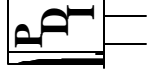


Precision Devices, Inc.

8840 N. Greenview Dr.
Middleton, WI 53562
Phone: 608-831-4445
1-800-274-XTAL
Fax: 608-831-3343



Visit our web site at www.pdixtal.com

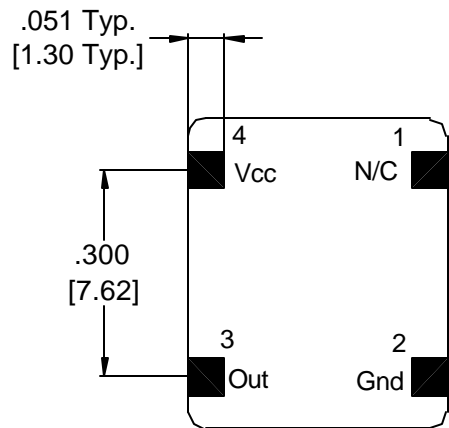
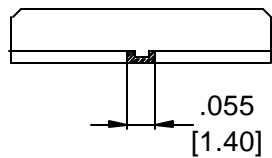
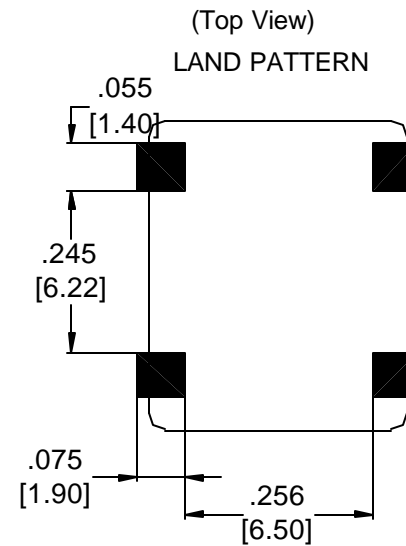
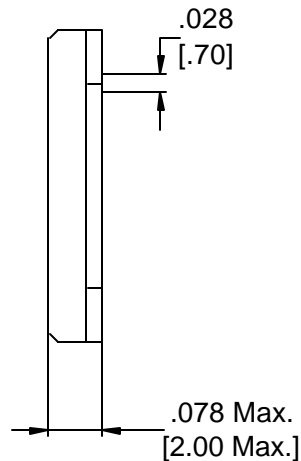
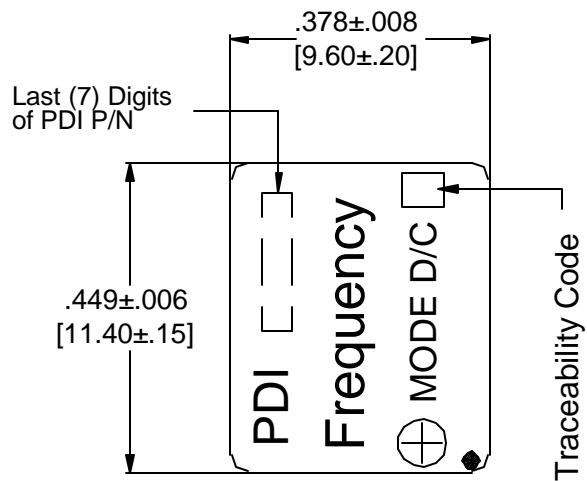
Sales Information sales@pdixtal.com

Electrical Specifications

- Center Frequency: 16.00000MHz
- Output: Clipped Sinewave
- Output Level: 0.7Vpk-pk Minimum (DC Blocked)
- Output Load: 10K Ohms $\pm 10\%$ /10pF $\pm 10\%$
- Mechanical Adjustment: ± 3 ppm Minimum
- Frequency Stability:
 - vs. Temperature: ± 1.5 ppm (-20°C to +70°C referenced to frequency at +25°C)
 - vs. Aging: +1ppm/year at +40°C
 - vs. Load: 0.3ppm Maximum for $\pm 10\%$ load change
 - vs. Reflow: $< \pm 1$ ppm (Shift)
 - vs. Supply: ± 0.3 ppm for $\pm 5\%$ supply change
- Supply Current: 2mA Maximum
- Supply Voltage: +5.0Vdc $\pm 5\%$

Note: Must be manufactured using High Temperature Solder capable of withstanding 223°C reflow.

REV.	DATE	PAGE	DESCRIPTION	ECN	Originator	Date	Engineering	Date
					TITLE		FKA	17222
					Temperature Controlled Crystal Oscillator			
					PART NUMBER TC321600XWSBXX			
					DATE	SCALE	ECN.	REV.
					3/24/07	N.T.S.	N/A	N/A
					SIZE	CAGE	Page 1 of 2	
					A	OS4G1		



Precision Devices Inc.

8840 N. Greenview Dr.
Middleton WI 53562
608-831-4445
1-800-274-XTAL



Manufacturer of Quartz Crystal Products

DECIMAL XX=±.020 XXX=±.008	DWG FILE 17222	PART NUMBER TC3216000XWSBXX	
METRIC XX=±.50 XXX=±.20	SCALE N.T.S.	FREQUENCY 16.000MHz	DRAWN BY D. Baumgarten
ANGULAR XX=±2°	REV. LEVEL N/A	ECN NO. N/A	DATE 3/24/07
		CAGE CODE OS4G1	Page 2 of 2