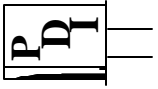
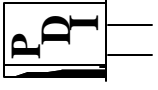


Precision Devices, Inc.



8840 N. Greenview Dr.
Middleton, WI 53562
Phone: 608-831-4445
1-800-274-XTAL
Fax: 608-831-3343



Visit our web site at www.pdixtal.com

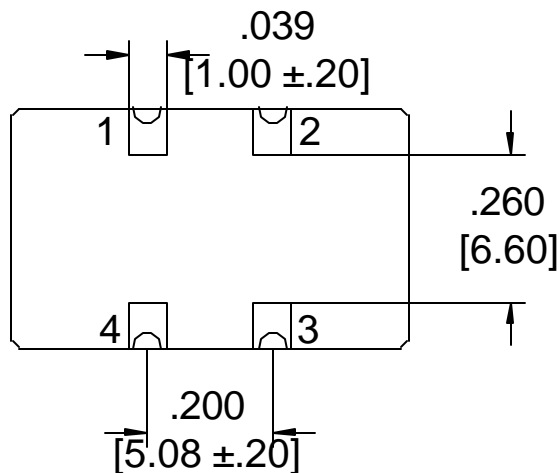
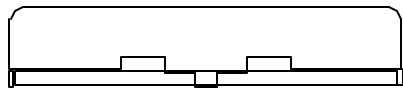
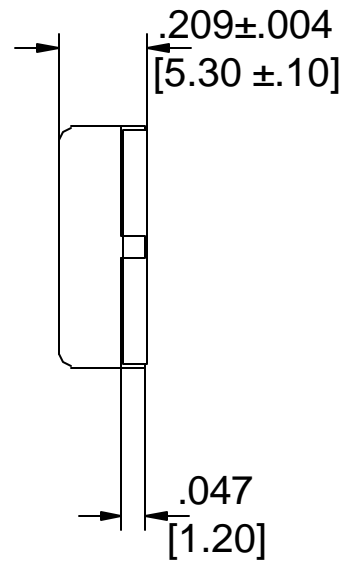
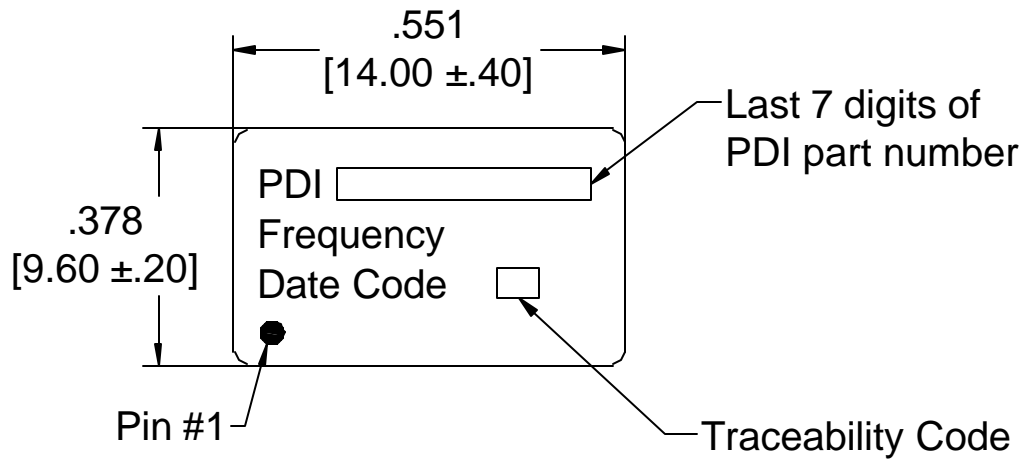
Sales Information sales@pdixtal.com

Electrical Specifications

1. Center Frequency: 19.440000MHZ
2. Output: HCMOS
3. Initail Tolerance @ +25°C: ±5ppm
4. Operating Temperature: -30°C to +80°C
5. Frequency Stability: vs. Temperature: ±10ppm
vs. Load Change: ±1ppm
vs. Supply Voltage: ±1ppm
6. Storage Temperature: -40°C to +90°C
7. Aging: ±3ppm/1 year
8. Load: 15pF
9. Duty Cycle: 40/60%
10. Supply Voltage: +3.3Vdc±5%
11. Supply Current: 25mA Maximum

The information contained in this drawing is the sole property of Precision Devices Inc. Any reproduction in part or as a whole without the written permission of Precision Devices Inc. is prohibited.

REV.	DATE	PAGE	DESCRIPTION	Auth.	ECN	FOR PRELIMINARY USE ONLY			
						Specifications subject to change without notice.			
						TITLE	FKA	18248	
						Temp. Controlled Oscillator Assembly			
						PART NUMBER	TC4019440XHSCXX		
						DATE	SCALE	ECN.	REV.
						4/11/08	N.T.S.	N/A	N/A
						SIZE	CAGE	Page 1 of 2	
						A	0S4G1		



PIN CONNECTIONS

1. Enable/Disable
2. Ground
3. Output
4. +Ve Supply



Precision Devices Inc.

8840 N. Greenview Dr.
Middleton WI 53562
608-831-4445
1-800-274-XTAL



Manufacturer of Quartz Crystal Products

DECIMAL XX=±.020 XXX=±.008	DWG FILE 18248	PART NUMBER TC4019440XHSCXX	
METRIC XX=±.50 XXX=±.20	SCALE N.T.S.	FREQUENCY 19.440000 MHz	DRAWN BY J.Lawinger
ANGULAR XX=±2°	REV. LEVEL N/A	ECN NO. N/A	DATE 4/11/08
		CAGE CODE 0S4G1	Page 2 of 2