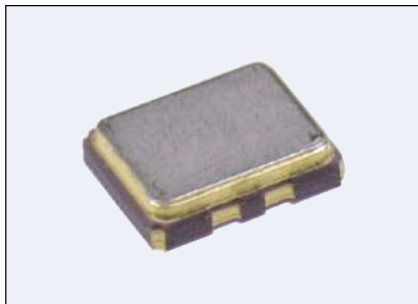


## Temperature Compensated Crystal Oscillator (TCXO)



## TCO-5870 Series

3225 VC-TCXO, TCXO

## Features

- Ultra miniature size : 3.2(W) X 2.5(D) X 1.0(H)mm
- Surface mount
- Excellent C/N

## Application

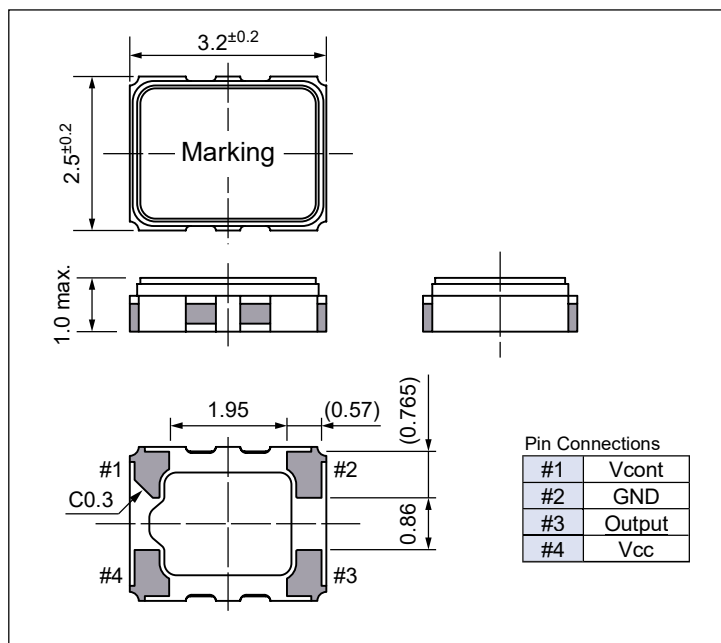
- Personal Cellular Phone
- GPS

## Specifications

Type	VC-TCXO		TCXO	
	TCO-5871	TCO-5872	TCO-5877	TCO-5879
Frequency	16 to 40 MHz	8 to 20 MHz	8 to 20 MHz	16 to 40 MHz
Supply voltage	+3 V $\pm$ 5 % (Operating range : +2.4V to +5.5V)			
Supply current	2.0 mA max. (at 26MHz)			
Output level	0.8 Vp-p min. (DC-coupled, clipped sinewave) 10 k $\Omega$ // 10 pF			
Stability vs Temperature	$\pm$ 2.0 ppm max. / -30 °C to +75 °C (+85 °C)			
Stability vs Supply voltage	$\pm$ 0.2 ppm max. / +3 V $\pm$ 5 %			
Stability vs Load	$\pm$ 0.2 ppm max. / (Load: 10 k $\Omega$ $\pm$ 1 k $\Omega$ // 10 pF $\pm$ 1 pF)			
Frequency Tolerance	$\pm$ 2.0 ppm max. / +25 °C $\pm$ 2°C, after reflow			
Aging	$\pm$ 1.0 ppm max. / year			
Frequency control range	$\pm$ 8.0 ppm min. / +1.5 V $\pm$ 1.0 V		—	

note)The above specifications are our standard. Upon request we offer proposal specifications separately.

## Package Outlines [Dimensions in mm]



## Footprint [Dimensions in mm]

