

History Record

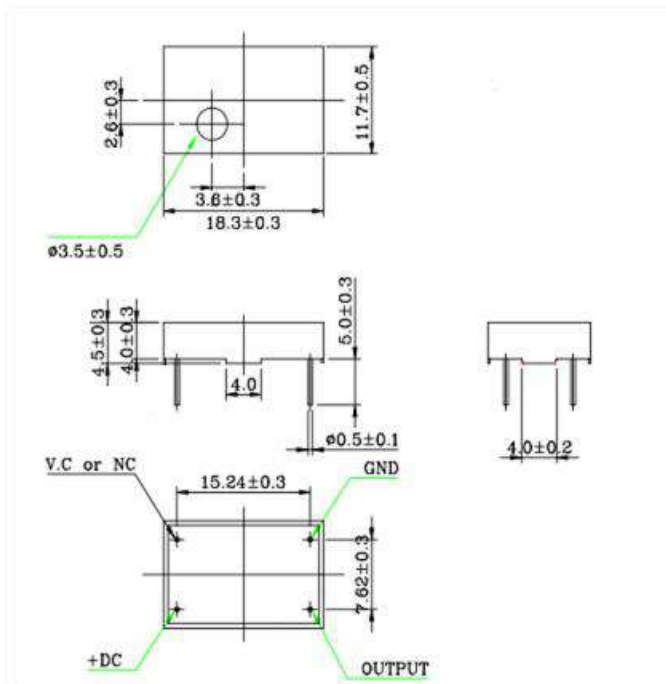
Date	Part No.	SPEC No.	Description.	Remarks.
2020-09-16			Initial issue	STE
2020-09-17	TCXO14-16.000M-1.5-5V-S-P-E	D310 -200917	Change: Output waveform to Clipped Sine wave and parameters Add: Frequency adjustment: +/-3.0PPM Min by internal trimmer	Liu Jun
2020-09-18	TCXO14-16.000M-1.5-5V-S-P-E	D310 -200917	Change:to old holder and base.	Liu Jun
2020-09-22	TCXO14-16.000M-1.5-5V-S-P-E	D310 -200917	Old holder specification update:NO 2.	Liu Jun
2020-09-23	TCXO14-16.000M-1.5-5V-S-P-E	D057-200917	Old holder specification update:NO 2	Liu Jun
	ISO9001:2000 ISO14001:2004	Approved by	Check by	Design by
		SEP-16-2020	SEP-16-2020	SEP-16-2020
Reversions	Total Page	Xu gang dong	Liu jun	Wang hon

High Precision Quartz Temperature Compensated Oscillator Specification

1.

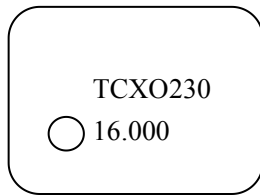
parameter	characteristic	technical parameter	unit
Output	Nominal frequency(f_0)	16.000000	MHz
	Frequency accuracy	± 0.3 Max($25 \pm 3^\circ\text{C}$)	ppm
	Waveform (square wave/sine wave)	Clipped Sine wave	
	Phase noise	/	
	Rise/fall time	/	ns
Temperature characteristics	Temperature characteristics	$\pm 1/-40-85^\circ\text{C}$	ppm
Aging rate	Aging rate/year	1.0 Max	ppm
power supply	Supply voltage	+5.0v (+/-5%)	VDC
	Input current	2 Max	mA
	Load stability	± 0.2 /DC5.0V +/-0.5% Max	ppm
Other indicators	Operating temperature range	-40~+85	$^\circ\text{C}$
	storage temperature	-45~+95	$^\circ\text{C}$
	Dimensions	18.3*11.7*4.5(DIP14)	mm
	Starting time	5msMax	
	Output level "0"	/	
	Output level "1"	/	
	Symmetric output	/	
	Output load	1Vp-p Min/10K Ohm//10pF	
	Frequency adjustment	+/-3.0PPM Min by internal trimmer	PPM

2.Dimensions:



Pin function
 1: V.C or NC
 7: GND
 8: OUTPUT
 14: +DC

3. Marking:



© Copyright 2020 StrongFirst. All Rights Reserved.