



Precision Devices, Inc.

8840 N. Greenview Dr.
Middleton, WI 53562
Phone: 608-831-4445
1-800-274-XTAL
Fax: 608-831-3343



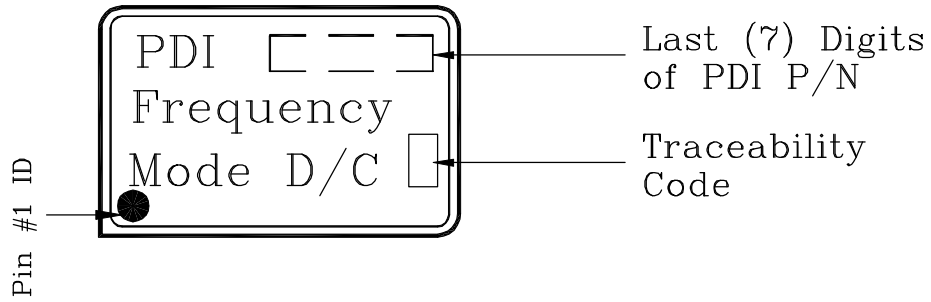
Visit our web site at www.pdixtal.com

Sales Information sales@pdixtal.com

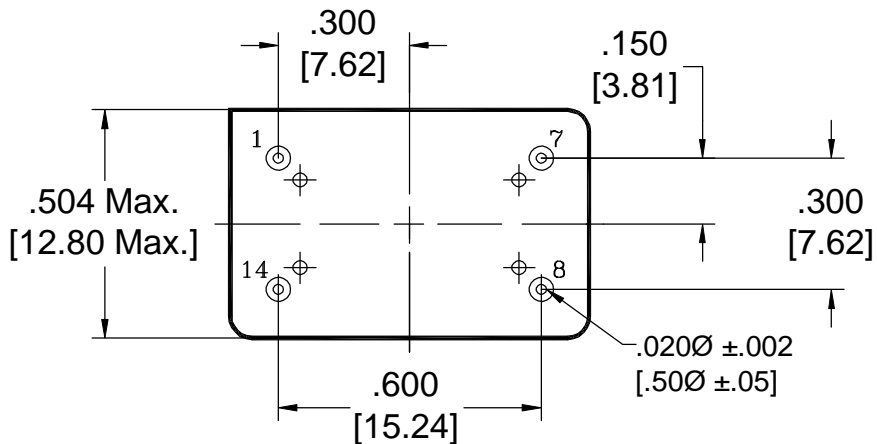
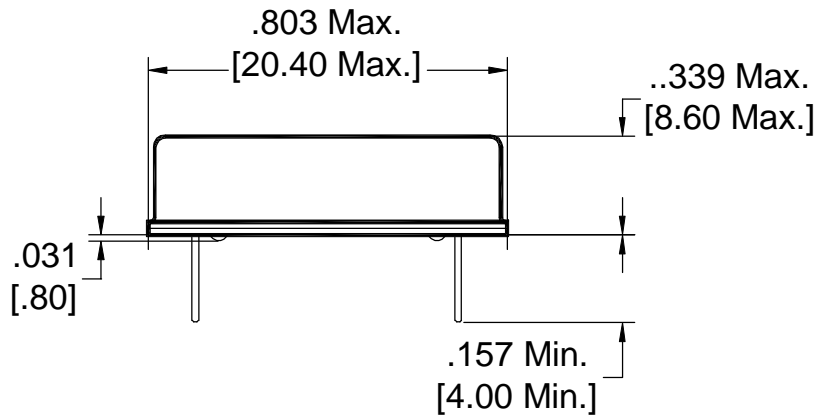
Electrical Specifications

1. Center Frequency: 61.440000MHz
2. Oscillation Mode: 3rd Overtone only
3. Calibration Tolerance: Adjustable to nominal frequency at +25°C with +2.5V \pm 0.5V applied to pin 1
4. Frequency Stability:
 - With Temperature: \pm 10ppm Max. w.r.t. nominal frequency at +25°C
 - With Time: \pm 2.0ppm per year Max. at +25°C
 - With Supply Voltage: \pm 3.0ppm Max. for a \pm 5% change
5. Operating Temperature Range: 0°C to +55°C
6. Operable Temperature Range: -40°C to +60°C
7. Storage Temperature Range: -40°C to +85°C
8. Supply Voltage: +5.0Vdc \pm 5%
9. Supply Current: 30mA Max.
10. Waveform: A.C. coupled sinewave
11. Output Level: 0dBm Min.
12. Load Impedance: 50 Ohms
13. Harmonic Distortion: -15dB
14. Sub-Harmonic Distortion: -30dB
15. Frequency Adjustment Range: \pm 25ppm Min. w.r.t. nominal frequency at +25°C via an external control voltage range of +0.6V to +4.4V applied to pin 1
16. Polarity: Positive
17. Linearity: \pm 10% Max. error
18. Input Impedance: 47K Ohms Min.
19. Modulation (3dB): D.C. to 10KHz Min.

REV.	DATE	PAGE	DESCRIPTION	Auth.	ECN	Originator	Date	Engineering	Date
						J.R.B.	2/2/05	D.T.	2/2/05
						TITLE 14-Pin DIP VCXO Assembly		FKA 5495	
						PART NUMBER VC2H61440XWALXX			
						DATE 2/2/05	SCALE N.T.S.	ECN. N/A	REV. N/A
						SIZE A	CAGE OS4G1		Page 1 of 2



Pin	Connection
1	Freq. Adjust
7	Ground
8	Output
14	Supply



Precision Devices Inc.

8840 N. Greenview Dr.
Middleton WI 53562
608-831-4445
1-800-274-XTAL



Manufacturer of Quartz Crystal Products

DECIMAL XX±.020 XXX±.008	DWG FILE 5495	PART NUMBER VC2H61440XWALXX	
METRIC XX±.50 XXX±.20	SCALE N.T.S.	FREQUENCY 61.440000MHz	DRAWN BY J. Bender
ANGULAR XX±2°	REV. LEVEL N/A	ECN NO. N/A	DATE 2/2/05
		CAGE CODE OS4G1	Page 2 of 2