

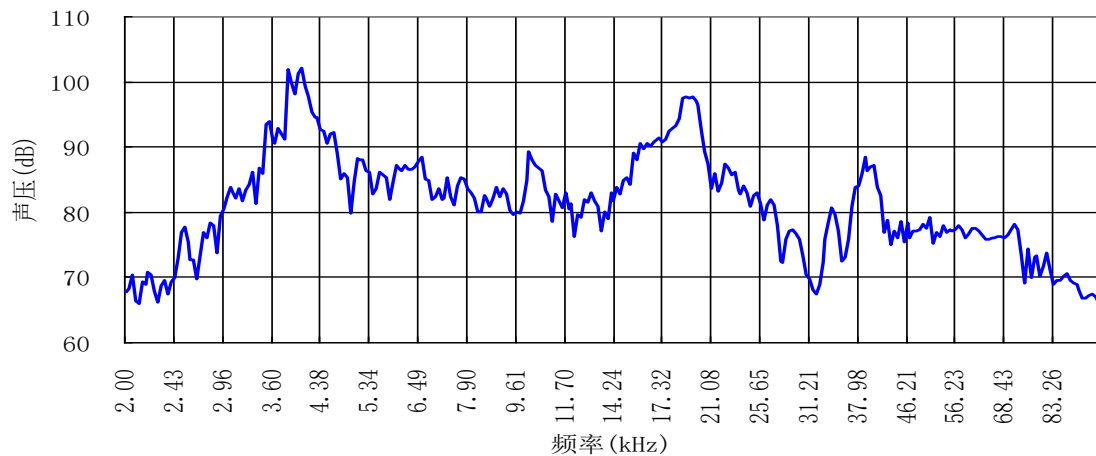
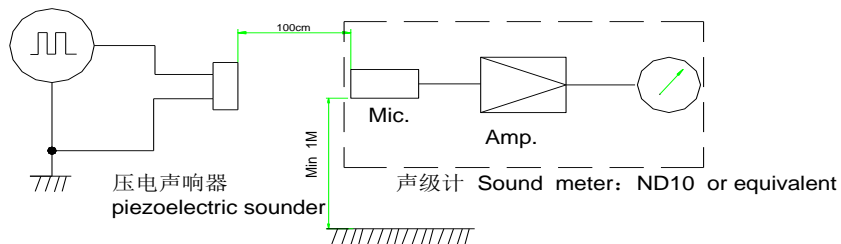
# Specification for Tweeter

Model No. :	VCT5120M	Drawing No.	VS202002019011
Customer :			

## SPECIFICATION

NO.	Items	Specification	Test Condition
1	Out-Diameter	51mm	
2	Height	20mm	
3	Rated Voltage	12Vp-p	
4	Operating Voltage	6-30Vp-p	
5	Max Rated Current	5mA/12Vp-p	
6	Capacitance at 1kHz	130000±30%pF	
7	Min Sound Pressure Level	90dB	at 2.83Vrms/100cm/2.5-8kHz
8	Resonant Frequency	4k±0.5kHz	
9	Rated Frequency Range	2.5-60KHz	
10	Housing Material/Color	ABS/Black	
11	Specification after test	must be normal	Initial Value ±10dB
12	Load Test	after test meet item 11	rated white noise power, 96 Hrs.
13	Heat Test	after test meet item 11	+60±2℃ 20~50% 96Hrs.
14	Cold Test	after test meet item 11	-20±3℃ 96Hrs.
15	Humidity Test	after test meet item 11	+40±2℃,90~95% 96Hrs.
16	Weight	10±5%g	
17	Note	The Cone material is Mylar	
18	Water proof	IP64	

## Frequency Response Curve

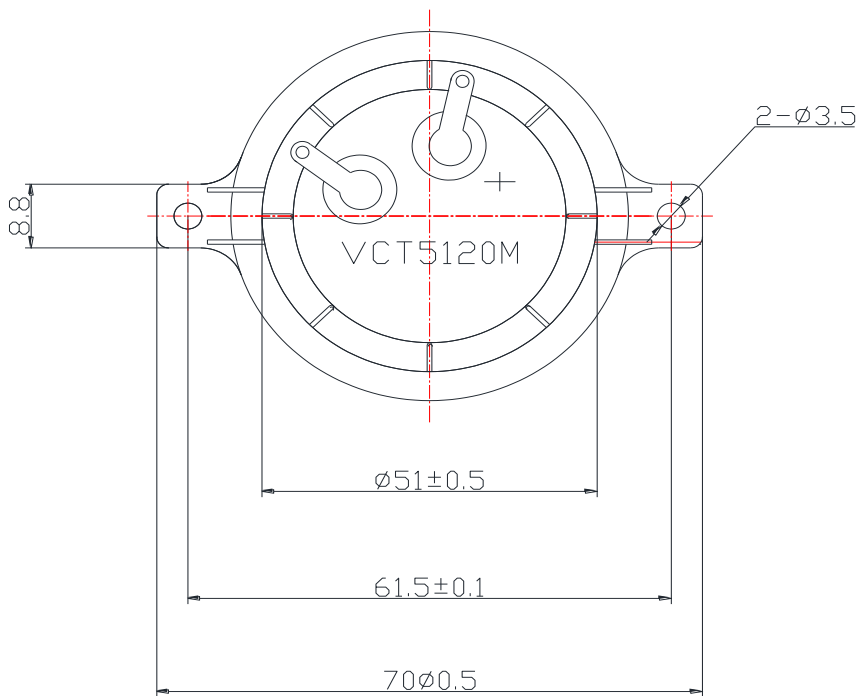
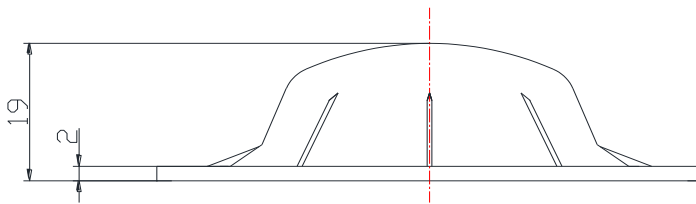
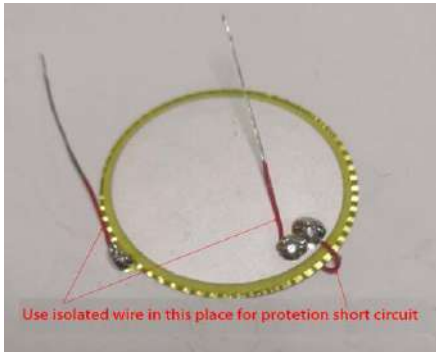


# Specification for Tweeter

Model No. VCT5120M

Drawing No. VS202002019011

Dimensions:



Unit : mm

Tolerance : ±0.2