

# SPECIFICATION

## FOR APPRONAL

Customer : \_\_\_\_\_

Product Name : Piezo Siren \_\_\_\_\_

Model Name : VPS5447-6T \_\_\_\_\_

Drawing No. : VS20241023011 \_\_\_\_\_

### Signature of Voice

Approved by	Checkde by	Issued by	Date

 **福爱斯电子有限公司**  
VOISE ELECTRONICS CO.,LTD.

Address:No 96 Mogao Dongqian Lake Industial Area ningbo,China,  
Tel:0086-0574-87773030;Fax:0086-0574-87471600 P.C.315121  
<http://www.nbvoise.com> Email:sales@nbvoise.com

Specification for Siren		Page	2/3
		Revision No.	1.0
Model No. : VPS5447-6T		Drawing No.	VS20241023011

## 2. Scope

This specification is applied to the siren used for sounder in alarm systems, Please contact us when using this product for any other applications than described in the above.

## 3. General

- 2.1 Out-Diameter : 54 mm
- 2.2 Height x Light : 47x72 mm
- 2.3 Weight : 80 ±10g
- 2.4 Operating Temperature range:  
-20~+60 °C without loss of function
- 2.5 Store Temperature range:  
-30~+70 °C without loss of function

## 4. Electrical and Acoustic Characteristics.

Test condition : 15 ~ 35 °C, 25% ~ 85% RH, 860~1060 mbar

No	Items	Specification
1	Rated voltage	28VDC
2	Operating voltage	9-30VDC
3	Max Rated Current	250mA at 28VDC
4	Min Sound pressure Level	95dB-12dB at 9VDC-28VDC/100cm
5	Tone Nature	Siren-6T
6	shell Material /color	ABS/Black
7	Wire	Red +28VDC
8	Wire	Black GND

# Specification for Siren

Page

3/3

Revision No.

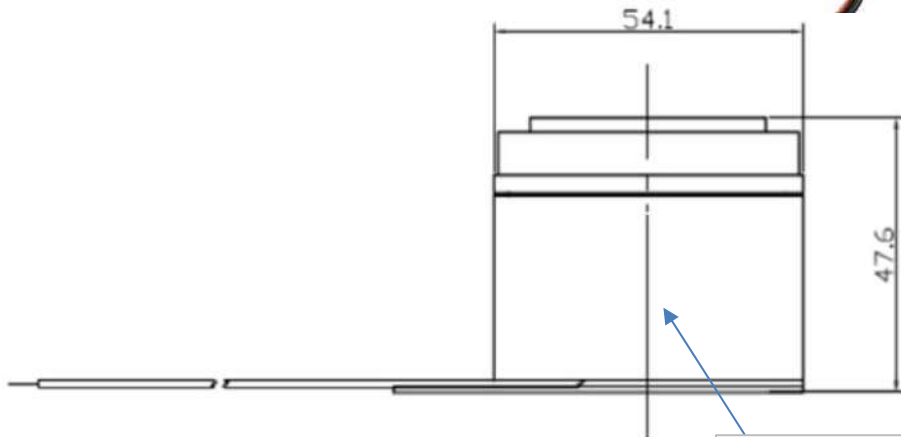
1.0

Model No. : VPS5447-6T

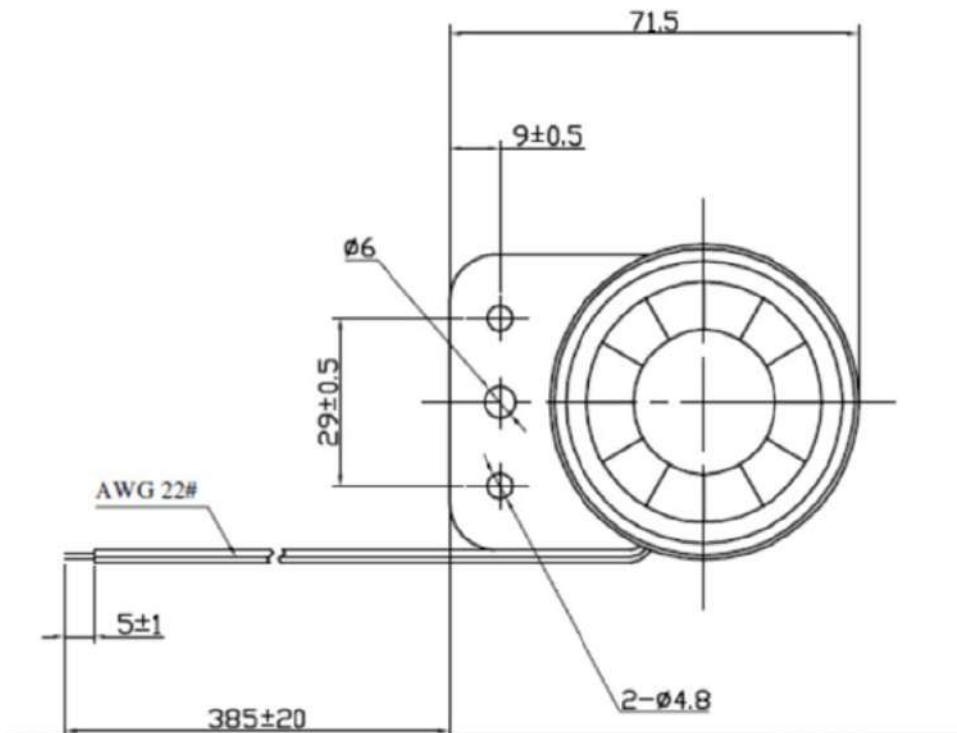
Drawing No.

VS20241023011

## 5. Dimensions



Marking  
VPS5447-6T  
9-30VDC



FIRST ANGLE PROJECTION



UNIT : mm

Tolerance : ±1.5