

1 2 3 4 5 6 7 8

A

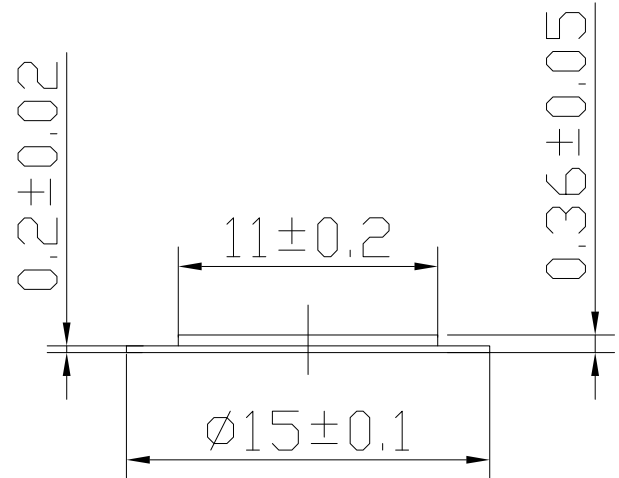
B

C

D

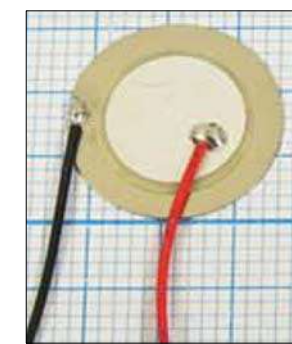
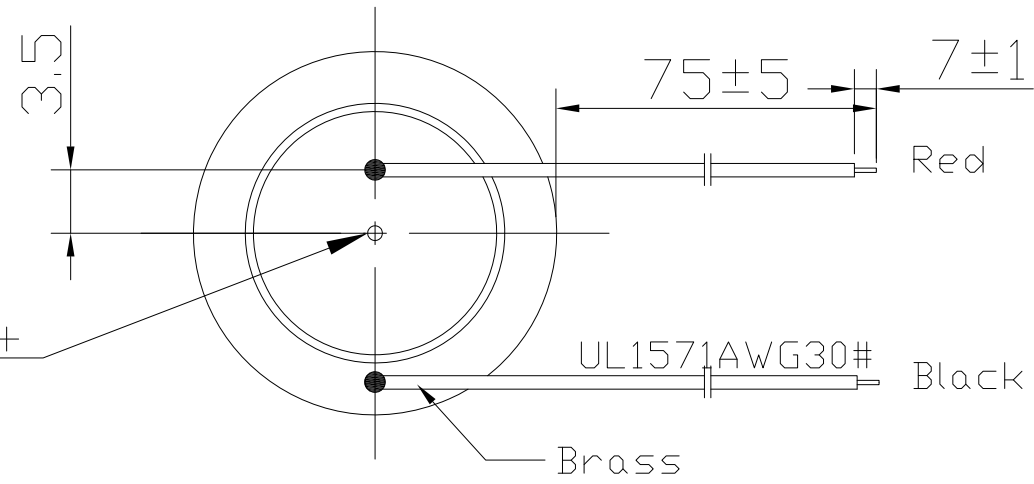
E

F



SPECIFICATION

- 1. Resonant Frequency 11 ± 2.0 kHz (with wires)
- 2. Static Capacitance $9000 \pm 30\%$ (pF) at 1 kHz
- 3. Resonant Impedance 300Ω Max
- 4. Insulation Resistance 100Ω Min at 50V
- 5. Operating Voltage 30Vp-p Max
- 6. Operating Temperature -20 to $+70$ (°C)
- 7. Storage Temperature -30 to $+80$ (°C)
- 8. Metal Material SUS304



焊线位置参考

正极+

- 技术要求:
- 1, 焊锡焊盘的尺寸中最大为2毫米.
 - 2, 焊点上必须涂保护胶; 见图示.
 - 3, 产品符合欧盟环保要求.

				NINGBO VOISE ELECTRONICS CO.,LTD http://www.nbvoise.com	
No.	DESCRIPTION	APPROVED	DATE	Piezoelectric Element VS15G11AL70	
TOLERANCES UNLESS NOTED OTHERWISE .X ± .XX ± .XXX ± 90° FORMED ±2° ANGLES ±1°		APPROVALS	DATE		
FIRST ANGLE PROJECTION		DRAWN		UNIT	DWG NO.
		CHECKED		mm	VS20210913017
		APPROVED	21.09.13	SCALE	SHEET
					VER 1.0

1 2 3 4 5 6 7 8