

1 2 3 4 5 6 7 8

A

B

C

D

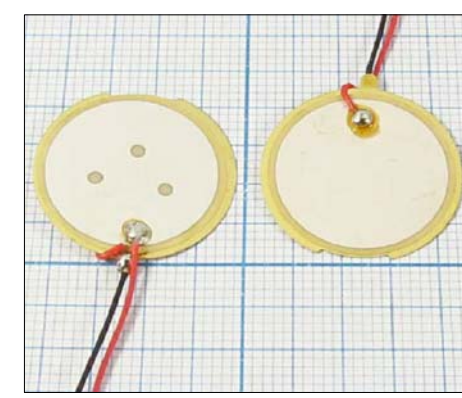
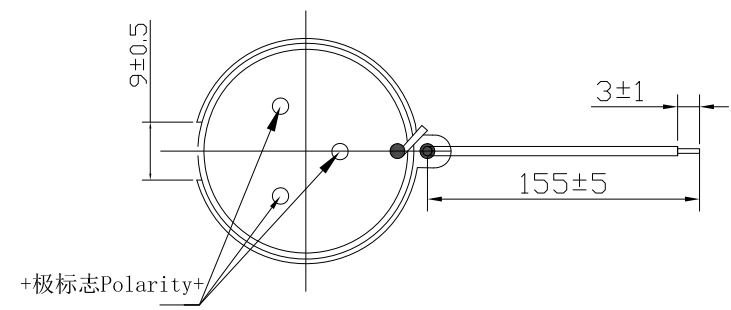
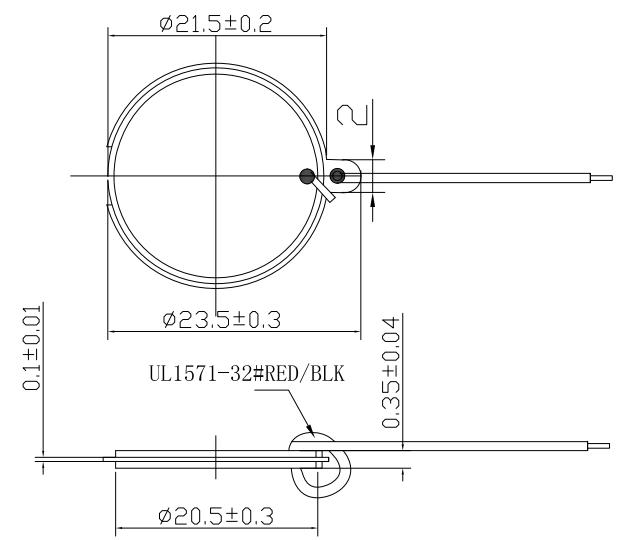
E

F

SPECIFICATION

Sound

- 1. Resonant Frequency $3.8 \pm 0.5 \text{ kHz}$
- 2. Static Capacitance $120000 \pm 30\% (\text{pF})$ at 100Hz
- 3. Resonant Impedance $150 \text{ Max} (\Omega)$
- 4. Input Voltage 20 Vp-p Max
- 5. Operating Temperature $-20 \text{ to } +70 (^\circ\text{C})$
- 6. Storage Temperature $-20 \text{ to } +80 (^\circ\text{C})$
- 7. Metal Material Brass



技术要求:

- 1, 带标记点一面为正极面, 标记点直径1.0mm
- 2, 银层上焊点直径控制在 $2.3 \pm 0.5 \text{ mm}$,
- 3, UL1571-32# AWG RED/BLK; $L=150 \pm 5 \text{ mm}$,

				NINGBO VOISE ELECTRONICS CO.,LTD http://www.nbvoise.com	
No.	DESCRIPTION	APPROVED	DATE	Piezoelectric Element VS21T38ASL150	
TOLERANCES UNLESS NOTED OTHERWISE: X ± XX + XXX + 90° FORMED +2° ANGLES -1°		APPROVALS	DATE		
FIRST ANGLE PROJECTION		CHECKED		UNIT mm	DWG NO. VS20200709016
		APPROVED	20.07.09	SCALE	SHEET
					VER 1.0

1 2 3 4 5 6 7 8