

1 2 3 4 5 6 7 8

A

B

C

D

E

F

A

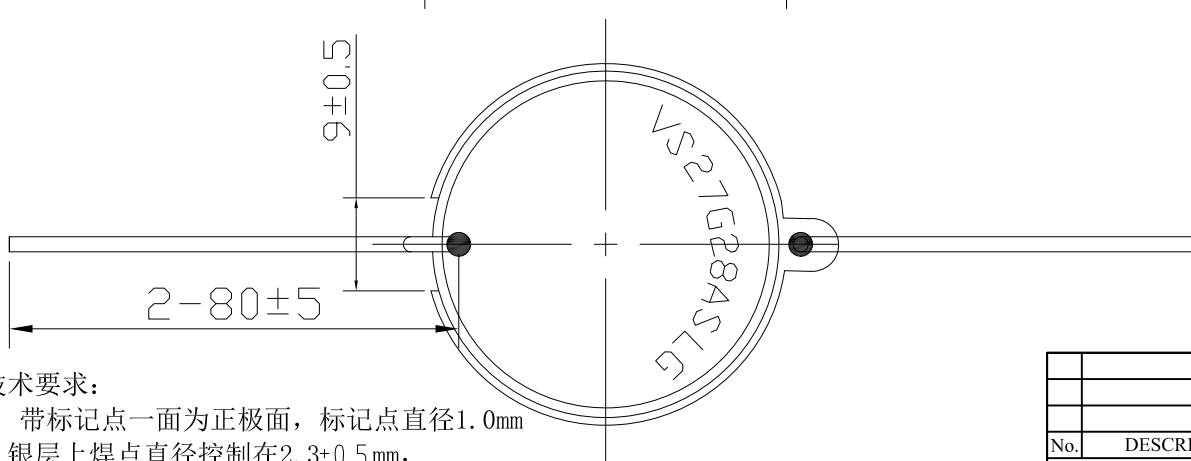
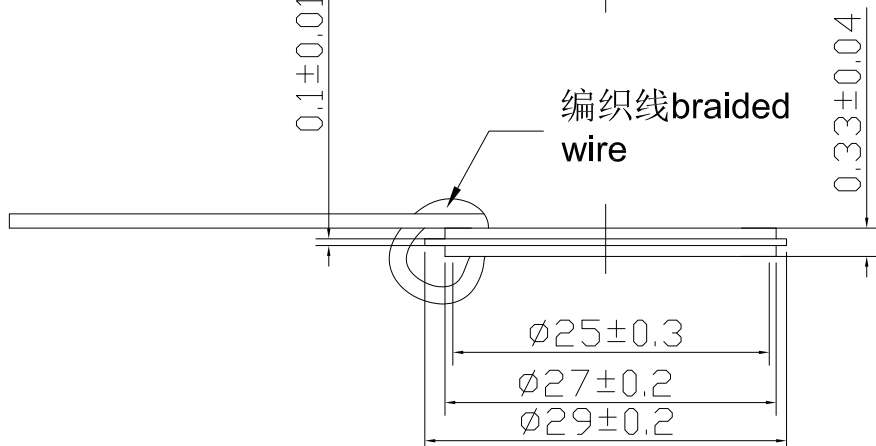
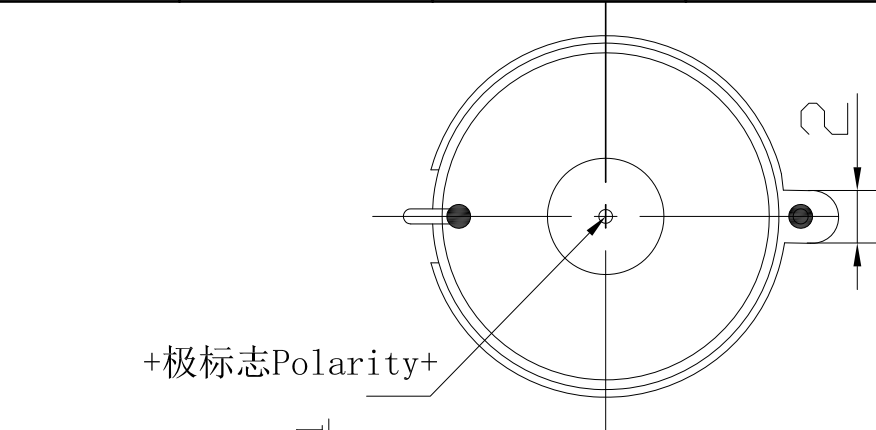
B

C

D

E

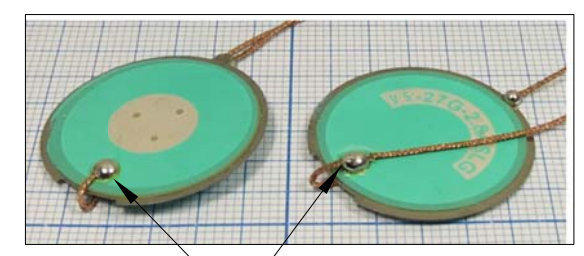
F



SPECIFICATION

Sound

- 1. Resonant Frequency2.8±0.3kHz
- 2. Static Capacitance130000±30%(pF) at 100Hz
- 3. Resonant Impedance150Max(Ω)
- 4. Input Voltage.....30Vp-p Max
- 5. Operating Temperature-20-+70(°C)
- 6. Storage Temperature-20-+80(°C)
- 7. Metal Material.....SUS304



技术要求:

- 1, 带标记点一面为正极面, 标记点直径1.0mm
- 2, 银层上焊点直径控制在2.3±0.5mm,
- 3, 2-GJ 1x4铜绞线;L=80±5mm,

				NINGBO VOISE ELECTRONICS CO.,LTD http://www.nbvoise.com	
No.	DESCRIPTION	APPROVED	DATE	Piezoelectric Element VS-27G-28ASLG80G	
TOLERANCES UNLESS NOTED OTHERWISE: .X ± .XX ± .XXX ± 90° FORMED +2° ANGLES -1°		APPROVALS	DATE		
FIRST ANGLE PROJECTION		CHECKED		UNIT mm	DWG NO. VS20200709015
		APPROVED	20.07.09	SCALE	SHEET
				VER	1.0

1 2 3 4 5 6 7 8