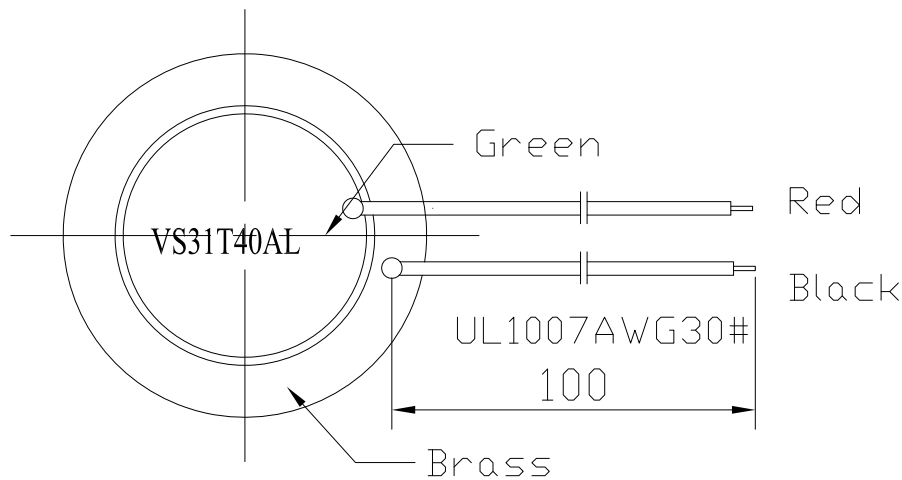


SPECIFICATION

- | | |
|--------------------------------|------------------------|
| 1. Resonant Frequency | 4.0±0.3kHz |
| 2. Static Capacitance | 50000±30%(pF) at 100Hz |
| 3. Resonant Impedance | 500 Ω Max |
| 4. Operating Voltage | 30Vp-p max |
| 5. Operating Temperature | -20-+70(°C) |
| 6. Storage Temperature | -30-+80(°C) |
| 7. Metal Material..... | Brass |



技术要求:

- 1, 焊锡焊盘的尺寸中最大为2毫米。
- 2, 焊点上必须涂保护胶; 见图示。
- 3, 产品符合欧盟环保要求。

			NINGBO VOISE ELECTRONICS CO.,LTD http://www.nbvoise.com	
No.	DESCRIPTION	APPROVED	Piezoelectric Element	
			VS31T40AL	
TOLERANCES UNLESS NOTED OTHERWISE: X ± XX ± XXX ± 90° FORMED +2° ANGLES -1°		APPROVALS	DATE	UNIT
		DRAWN		mm
		CHECKED		DWG NO.
		APPROVED	19.02.23	VS20210906012
FIRST ANGLE PROJECTION			SCALE	SHEET
				VER 1.0