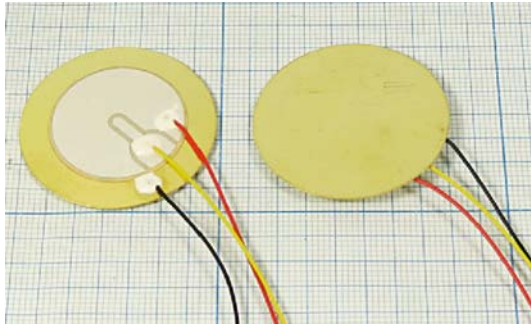
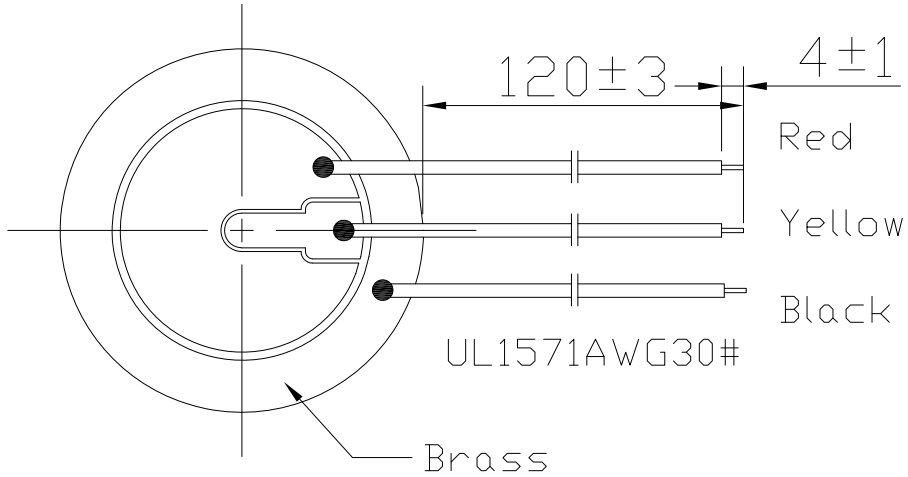


SPECIFICATION

- 1. Resonant Frequency2.8±0.5kHz
- 2. Static Capacitance30000±30%(pF) at 100Hz
- 3. Resonant Impedance300 Ω Max
- 4. Insulation Resistance100 Ω Min
- 5. Operating VoltageVp-p 30max
- 6. Operating Temperature-20+70(°C)
- 7. Storage Temperature-20+80(°C)
- 8. Metal Material.....Brass



技术要求：
 1, 焊锡焊盘的尺寸中最大为2毫米。
 2, 焊点上必须涂保护胶；见图示。
 3, 产品符合欧盟环保要求。

			NINGBO VOISE ELECTRONICS CO.,LTD http://www.nbvoise.com	
No.	DESCRIPTION	APPROVED	DATE	
TOLERANCES UNLESS NOTED OTHERWISE		APPROVALS	DATE	
X ±		DRAWN		
XX ±		CHECKED		
XXX ±		APPROVED		
90° FORMED +2° ANGLES -1°			19.02.23	SCALE
FIRST ANGLE PROJECTION				SHEET
				VER 1.0

Piezoelectric Element
 VS35T28BL120
 UNIT mm DWG NO. VS20190223017