



# SPECIFICATION

## FOR APPRONAL

Customer : \_\_\_\_\_

Product Name : Sensor \_\_\_\_\_

Model Name : VS-A1040H7TW \_\_\_\_\_

Drawing No. : VS20190224012 \_\_\_\_\_

### Signature of Voise

Approved by	Checkde by	Issued by	Date



福爱斯电子有限公司  
VOISE ELECTRONICS CO.,LTD.

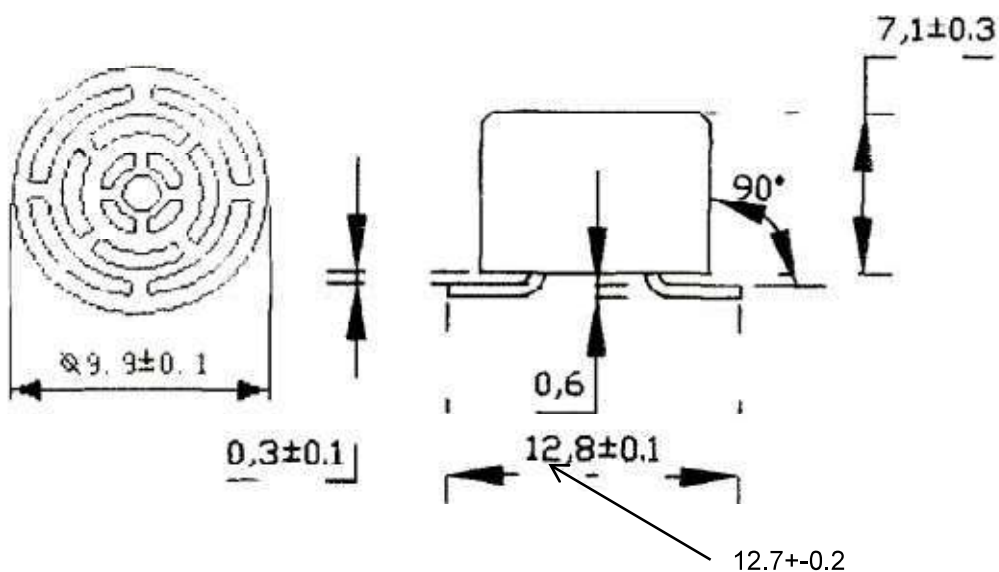
Office Add:Haoyangguang B-302# No.968 Baizhang Road,Ningbo China  
Factory add: Shishan Industrial Park Moushan Town Yuyao City China  
Tel:86-0574-87471601 Fax:86-0574-87471603 P.C.315000  
Http://www.nbvoise.com E-mail:sales@nbvoise.com

Specification for Sensor		Page	2/4
		Revision No.	1.0
Model No.:	VS-A1040H7TW	Drawing No.	VS20190224012

## ELECTRICAL SPECIFICATION

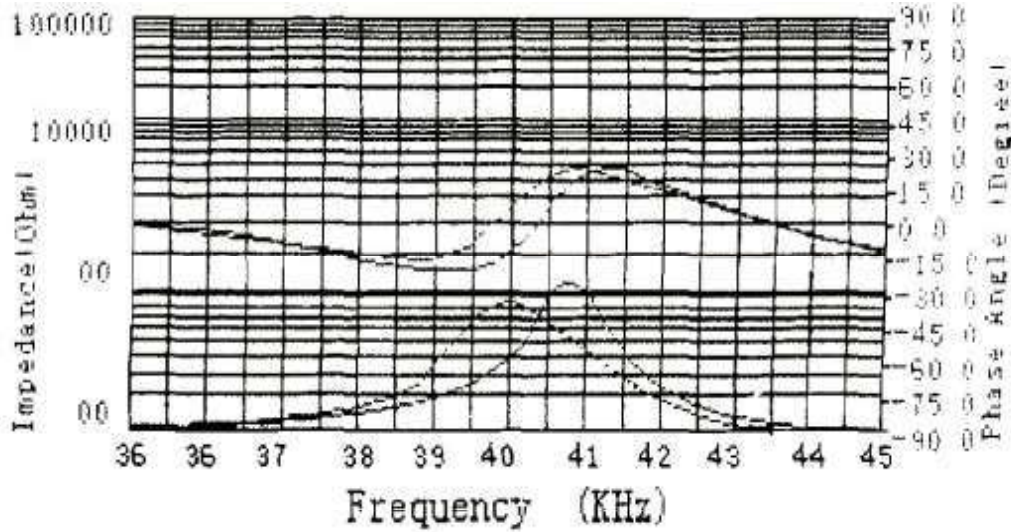
No	Items	Specification
1	Construction	Open
2	Using Method	Transmitter
3	Center frequency(KHz)	40 KHZ
4	Directivity	90°
5	Transmitting Sound Pressure Level	≥115dB (10V/30cm/sine wave)
6	Sensitivity	
7	Capacitance(pF)	2550±5% @1kHz
8	Allowable Maximum Input Voltage(Vp-p)	50
9	Detectable range	18 m
10	Operating Temperature	-30~ +80(°C)
11	Storage Temperature	-40~ +85(°C)
12	Material	Plastic

## APPEARANCE AND DIMENSIONS

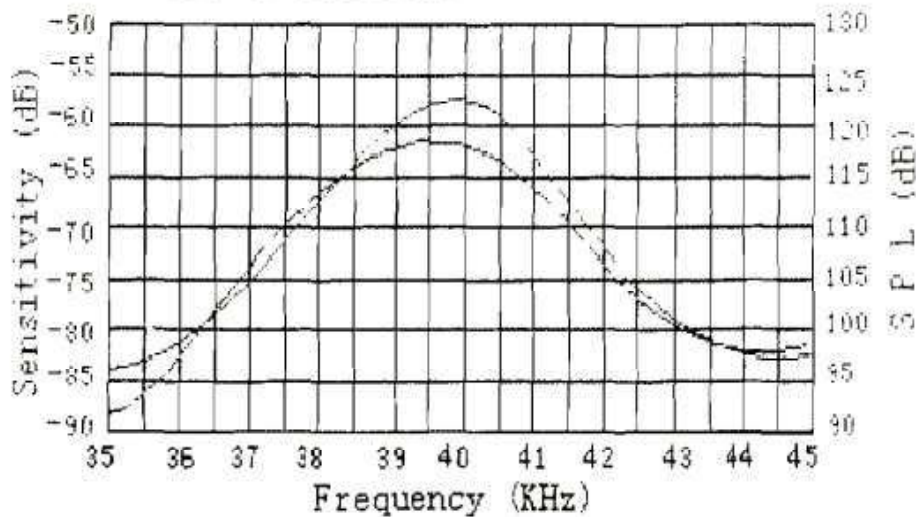


Specification for Sensor		Page	3/4
		Revision No.	1.0
Model No.:	VS-A1040H7TW	Drawing No.	VS20190224012

### Beam Pattern

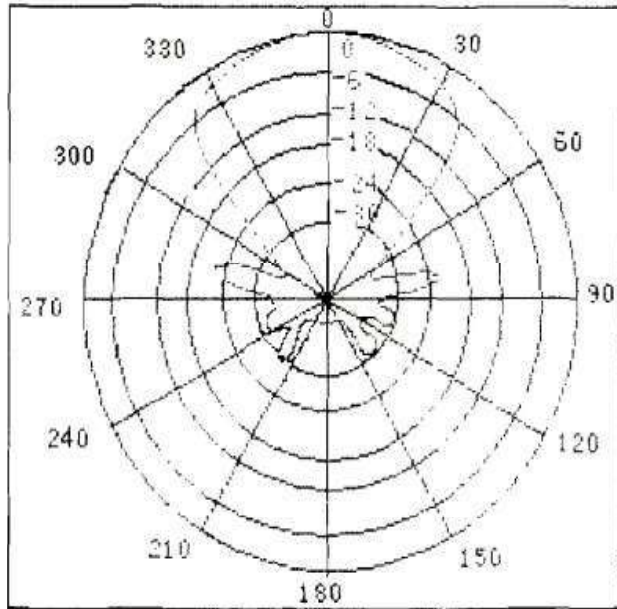


Tested under 10Vrms@30cm



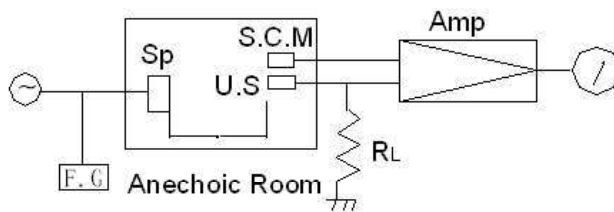
Specification for Sensor		Page	4/4
		Revision No.	1.0
Model No.:	VS-A1040H7TW	Drawing No.	VS20190224012

### Temperature & Frequency Curve



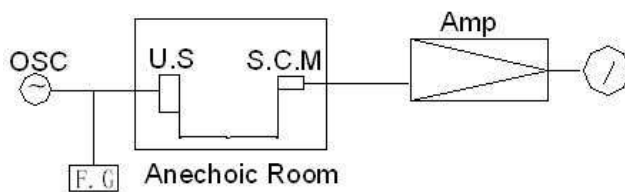
### Test Circuit

#### Receiver



RL: 3.9KΩ  
 U.S :Ultrasonic Sensor  
 S.C.M:Standard Cappacitor Microphone  
 Amp. :Ampifier  
 OSC. :Oscillator  
 Sp :Tweeter  
 F.C :Frequency Counter

#### Transmitter



U.S :Ultrasonic Sensor  
 S.C.M:Standard Cappacitor Microphone  
 Amp. :Ampifier  
 Input voltage:10Vrms  
 F.C :Frequency Counter